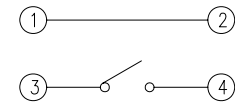
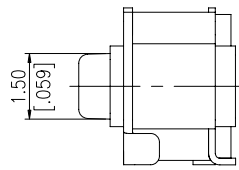
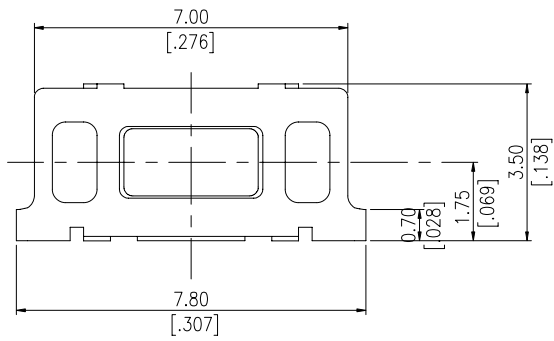
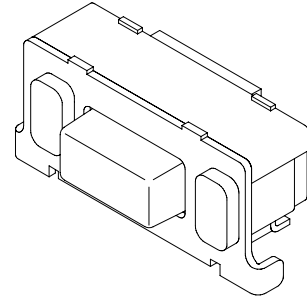
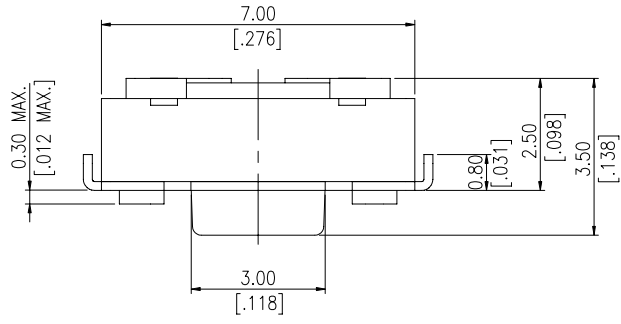


1188 SERIES

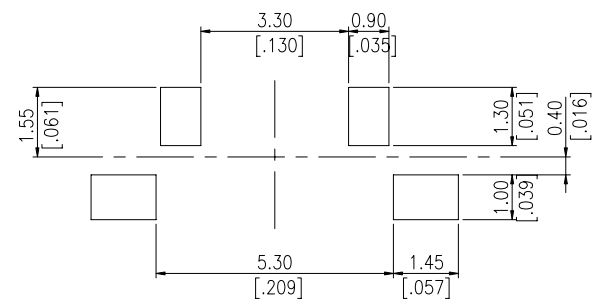
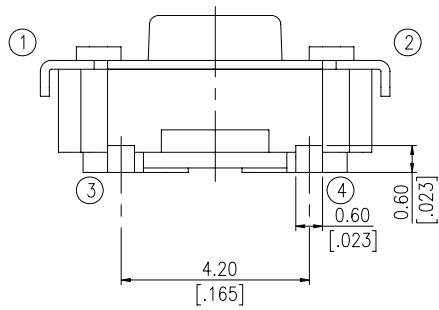


DIMENSIONS

1188-1



CIRCUIT

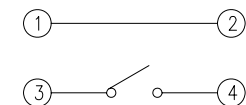
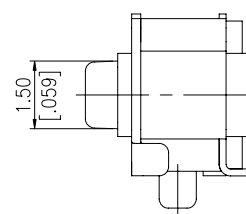
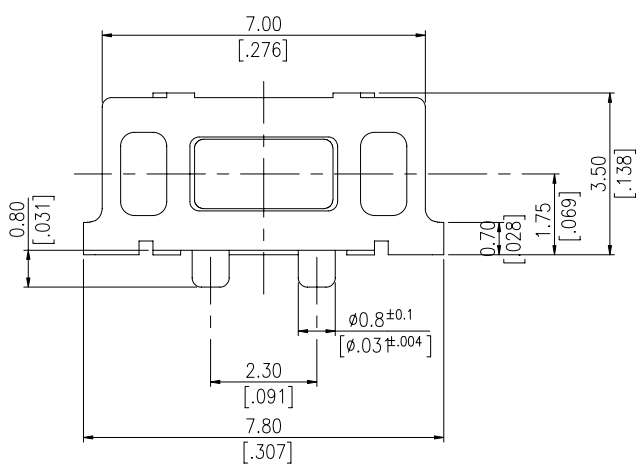
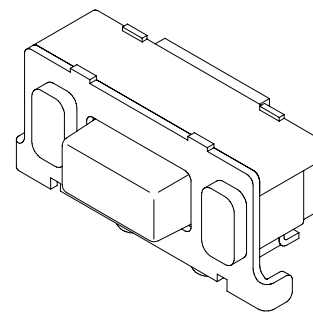
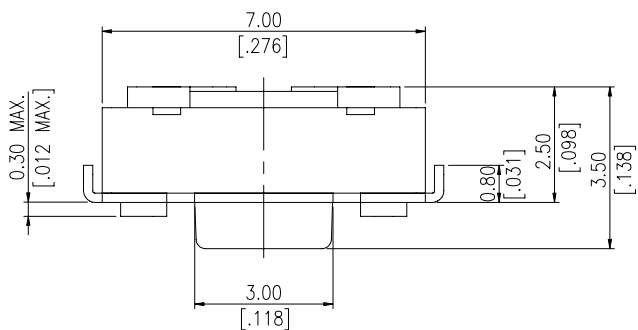


P.C.B. LAOUT

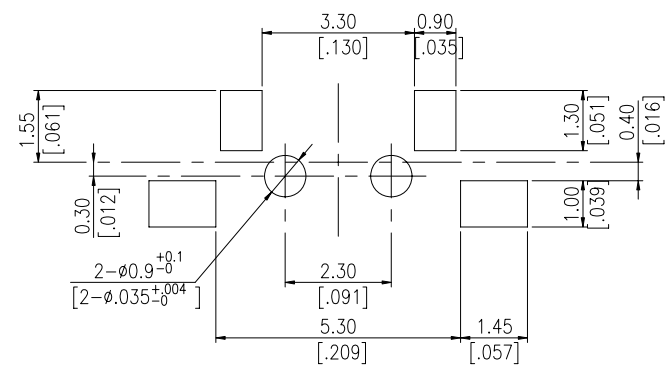
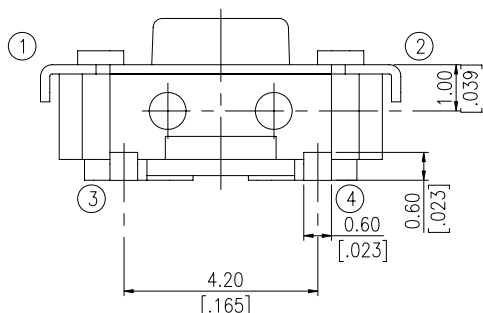
PART NO.	COLOR OF STEM	OPERATING FORCE
1188-1K2	BLACK	160±50gf
1188-1W3	WHITE	260±50gf

General Tolerance : ±0.2mm

1188E-1



CIRCUIT

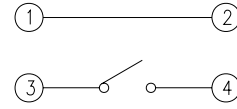
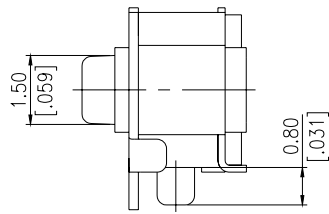
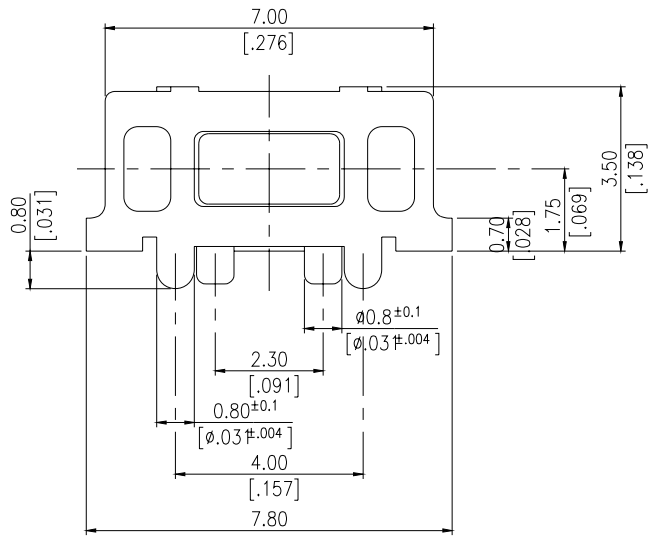
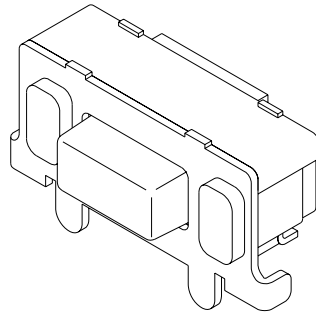
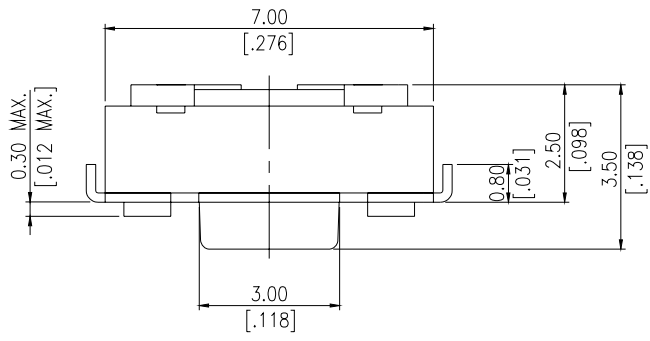


P.C.B. LAOUT

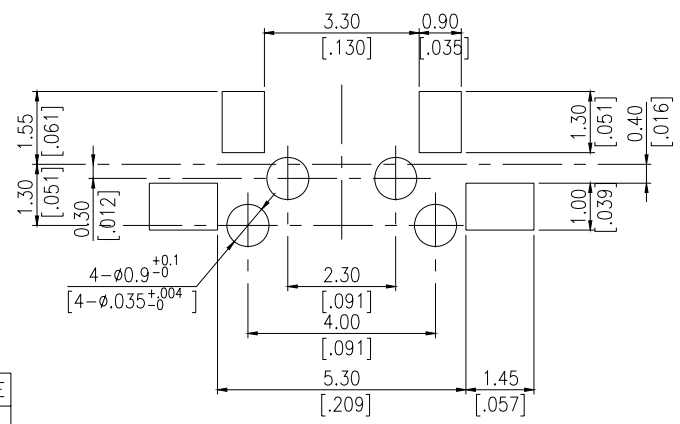
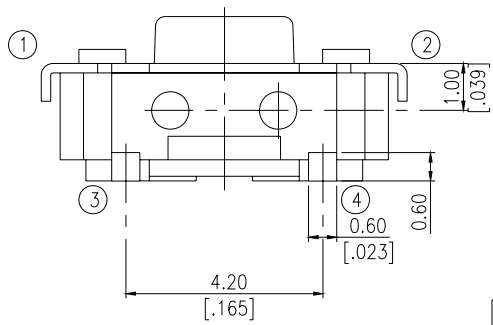
PART NO.	COLOR OF STEM	OPERATING FORCE
1188E-1K2	BLACK	160±50gf
1188E-1W3	WHITE	260±50gf

General Tolerance : ±0.2mm

1188EP-1



CIRCUIT

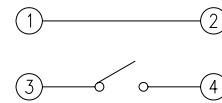
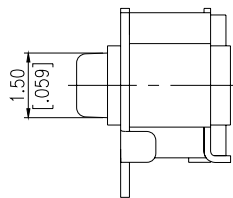
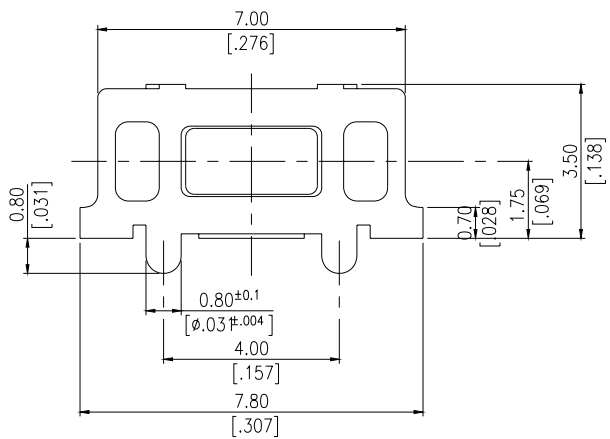
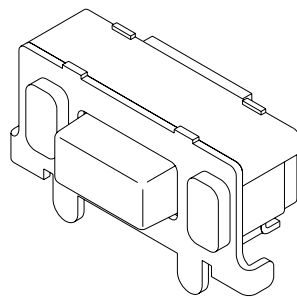
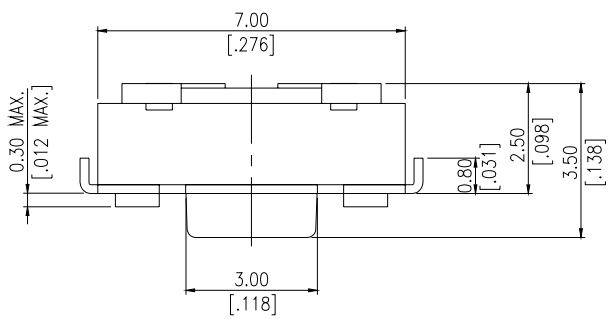


P.C.B. LAOUT

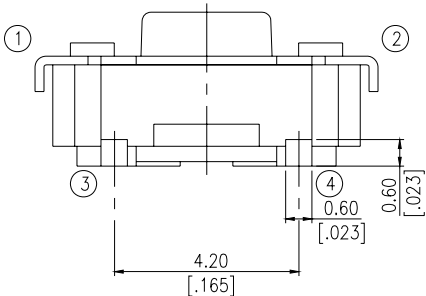
PART NO.	COLOR OF STEM	OPERATING FORCE
1188EP-1K2	BLACK	160±50gf
1188EP-1W3	WHITE	260±50gf

General Tolerance : ±0.2mm

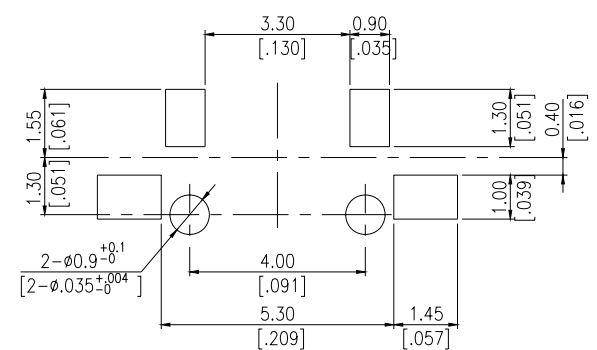
1188P-1



CIRCUIT



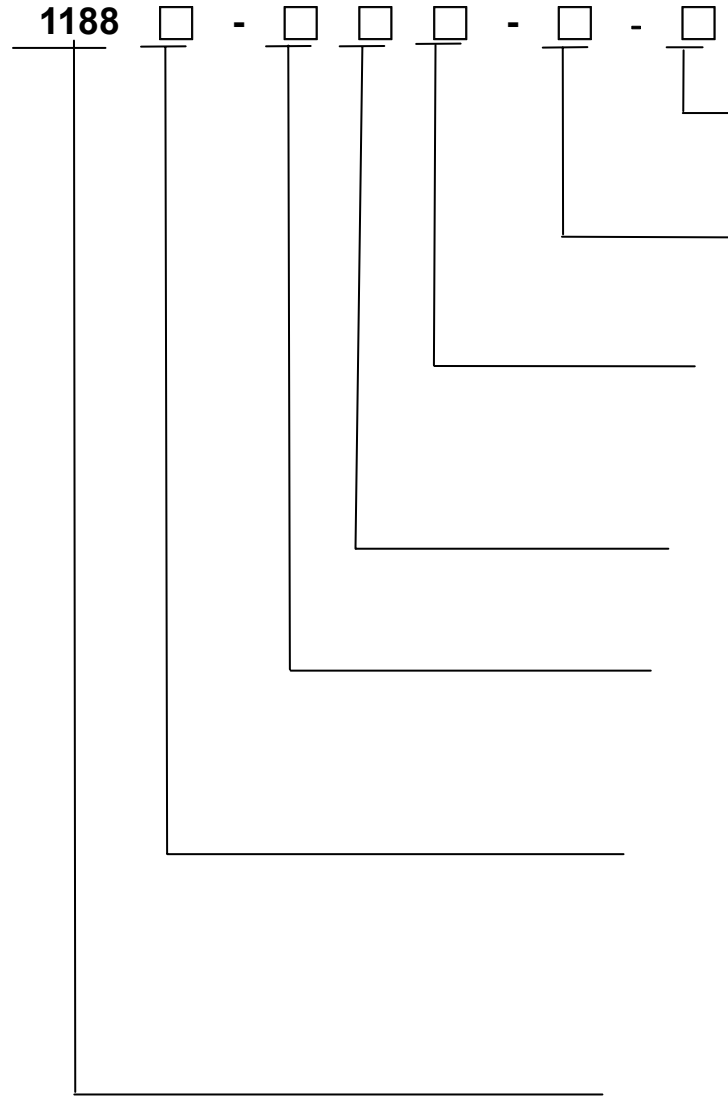
PART NO.	COLOR OF STEM	OPERATING FORCE
1188P-1K2	BLACK	160±50gf
1188P-1W3	WHITE	260±50gf



P.C.B. LAOUT

General Tolerance : ±0.2mm

HOW TO ORDER



Package Style:
T/R = Tape & Reel

Solder:
V=Lead Free Solderable
Q=Halogen Free
Operating Force
2 = 160gf
3 = 260gf

K=Black
W=White

Stem Height:
1 = 1.0mm

Pilot:
□ = Without Pilot
E= Base with Pilot
P= Cover with Pilot
EP= Base + Cover with Pilot

Extra Thin Side actuated Tact Switch

SPECIFICATION

△MECHANICAL

Operation Force: 2=160gf ± 50gf
3=260gf ± 50gf

Stroke: 0.25 +0.10 / - 0.1 mm

Operation Temperature: -25°C to +70°C

Storage Temperature: -40°C to +80°C

△ELECTRICAL

Electrical Life: 50,000 cycles for 160gf
30,000 cycles for 260gf

Rating: 50mA , 12VDC

Contact Resistance: 100mΩ max.

Insulation Resistance: 100MΩ min. at 500VDC

Dielectric Strength: 250 V AC/ minute

Contact Arrangement: 1 pole 1 throw

MATERIAL

△COVER Steel : Nickel Silver

△BASE: UL94V-0 High – Temp. Thermoplastic
Color: White

△STEM: UL94V-0 High – Temp. Thermoplastic
Color: Black (160gf), White (260gf)

△CONTACT DISC: Stainless with silver cladding

△TERMINAL: Brass with silver plated

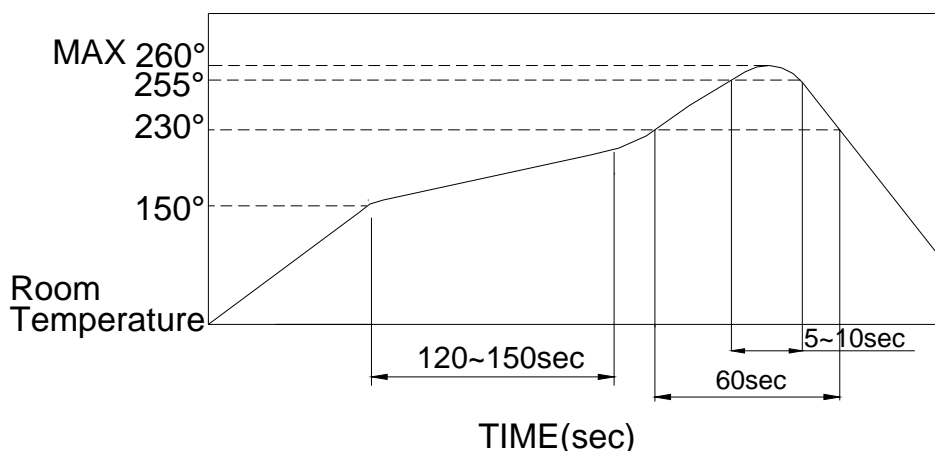
SOLDERING PROCESS

For best results, please follow these recommendation:

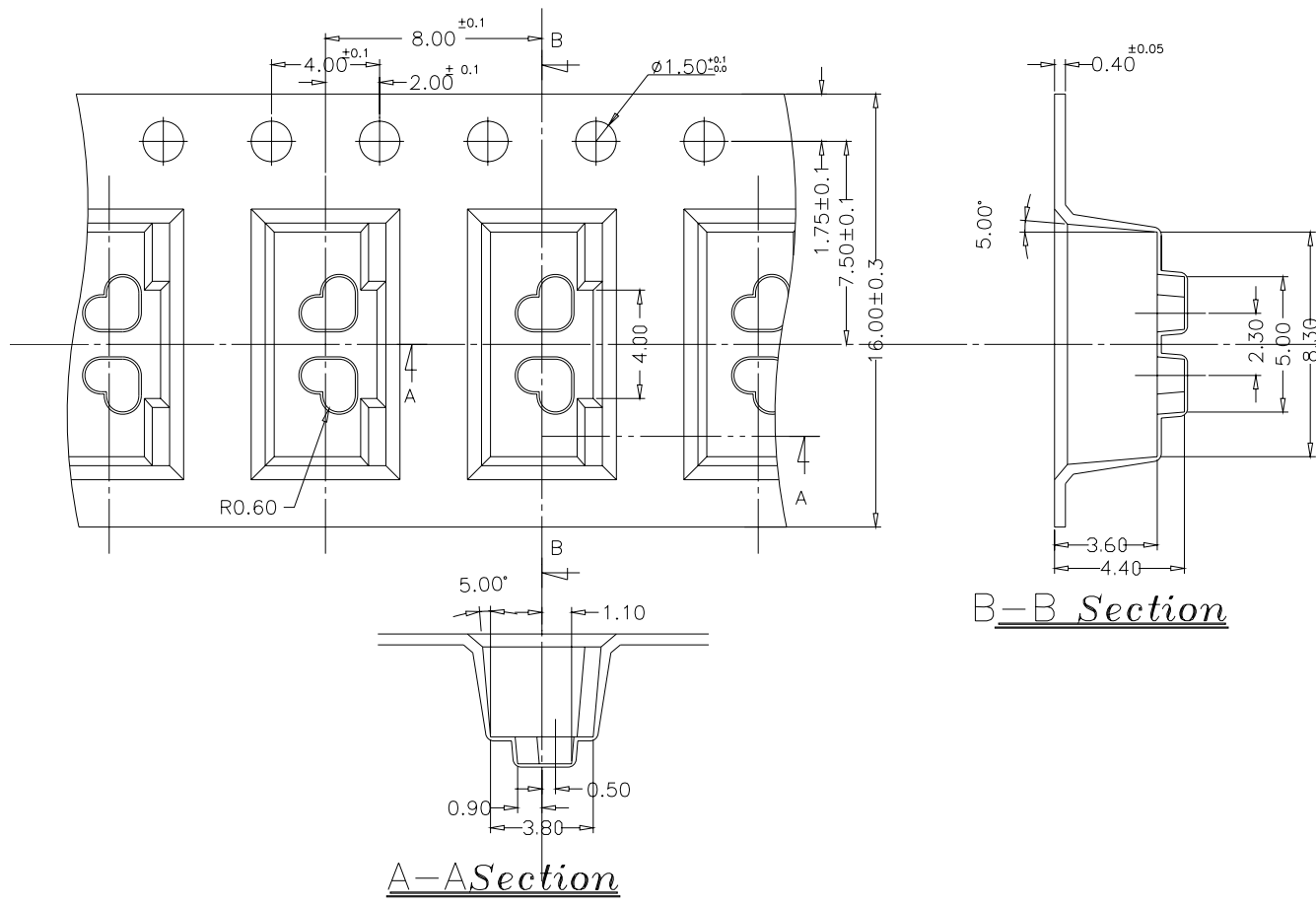
△HAND SOLDERING: Use a soldering iron of 30 watts, controlled at 350°C approximately max 5 seconds.

△REFLOW SOLDERING: When applying reflow soldering, the peak temperature or the reflow Oven should be set at 260°C max.

△Reflow Temperature Profile:



PACKING



Part Number	Number Per Reel
1188-1	2000
1188E-1	
1188EP-1	
1188P-1	

General Tolerance : $\pm 0.1\text{mm}$