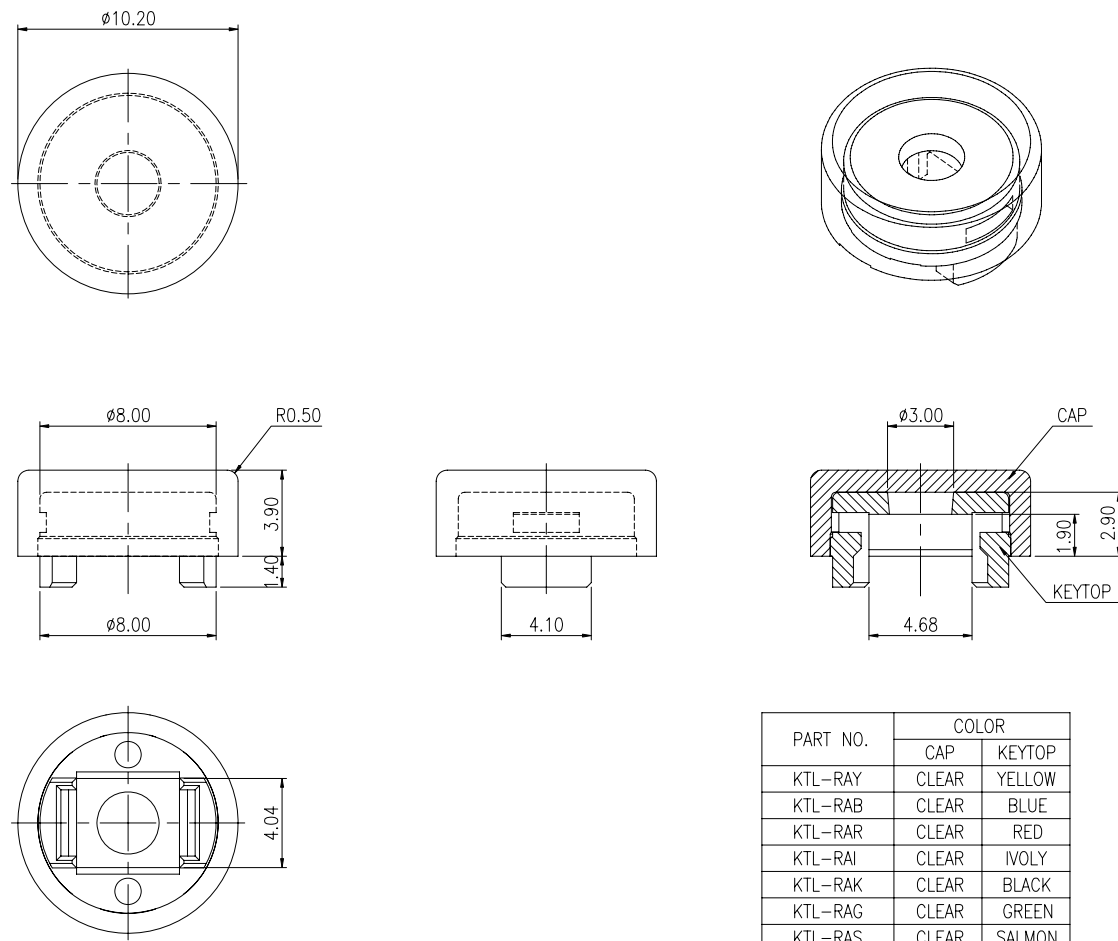


KTL SERIES

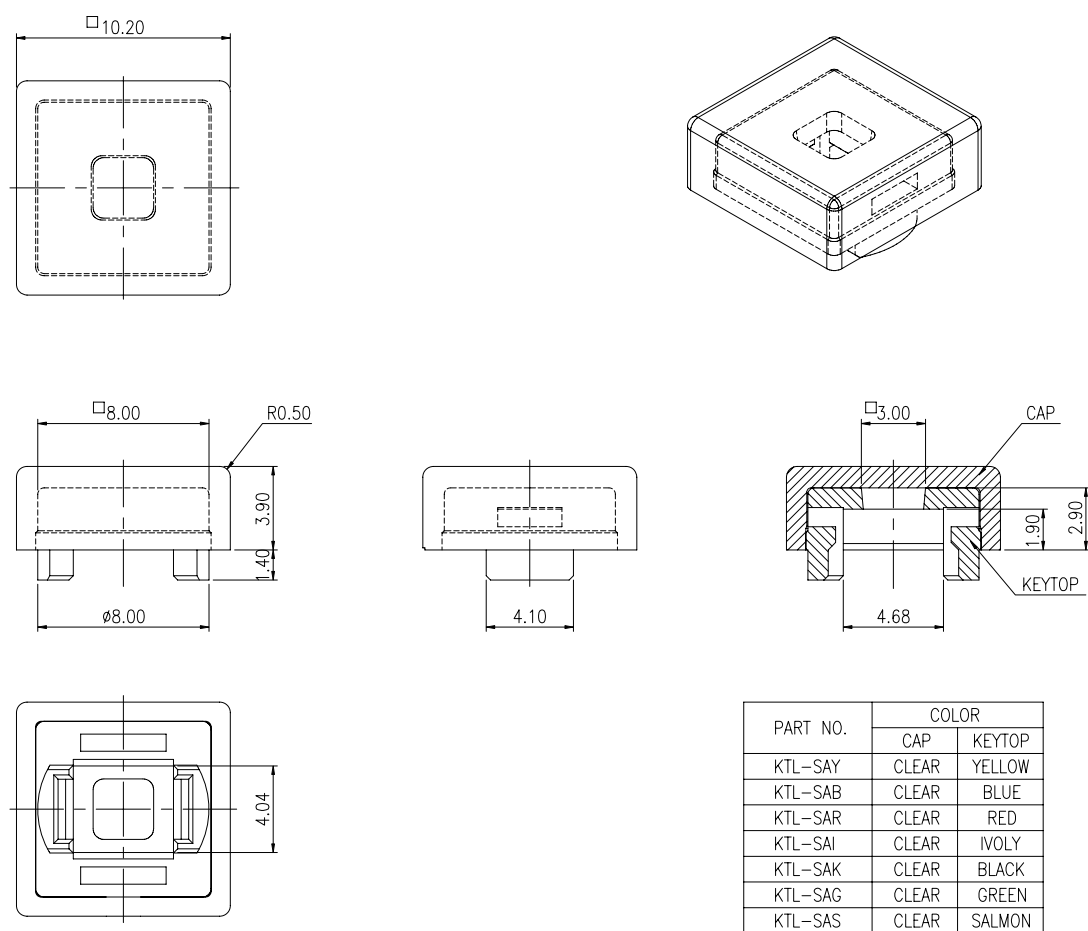
DIMENSIONS

KTL-RA



General Tolerance : $\pm 0.2\text{mm}$

KTL-SA



General Tolerance : $\pm 0.2\text{mm}$

CAP PART NO.

K T L -

Color :

Y = Yellow

B = Blue

R = Red

I = Ivory

K = Black

G = Green

S = Salmon

Type :

A = Round 10mm or Square 10mm

Type :

R = Round

S = Square