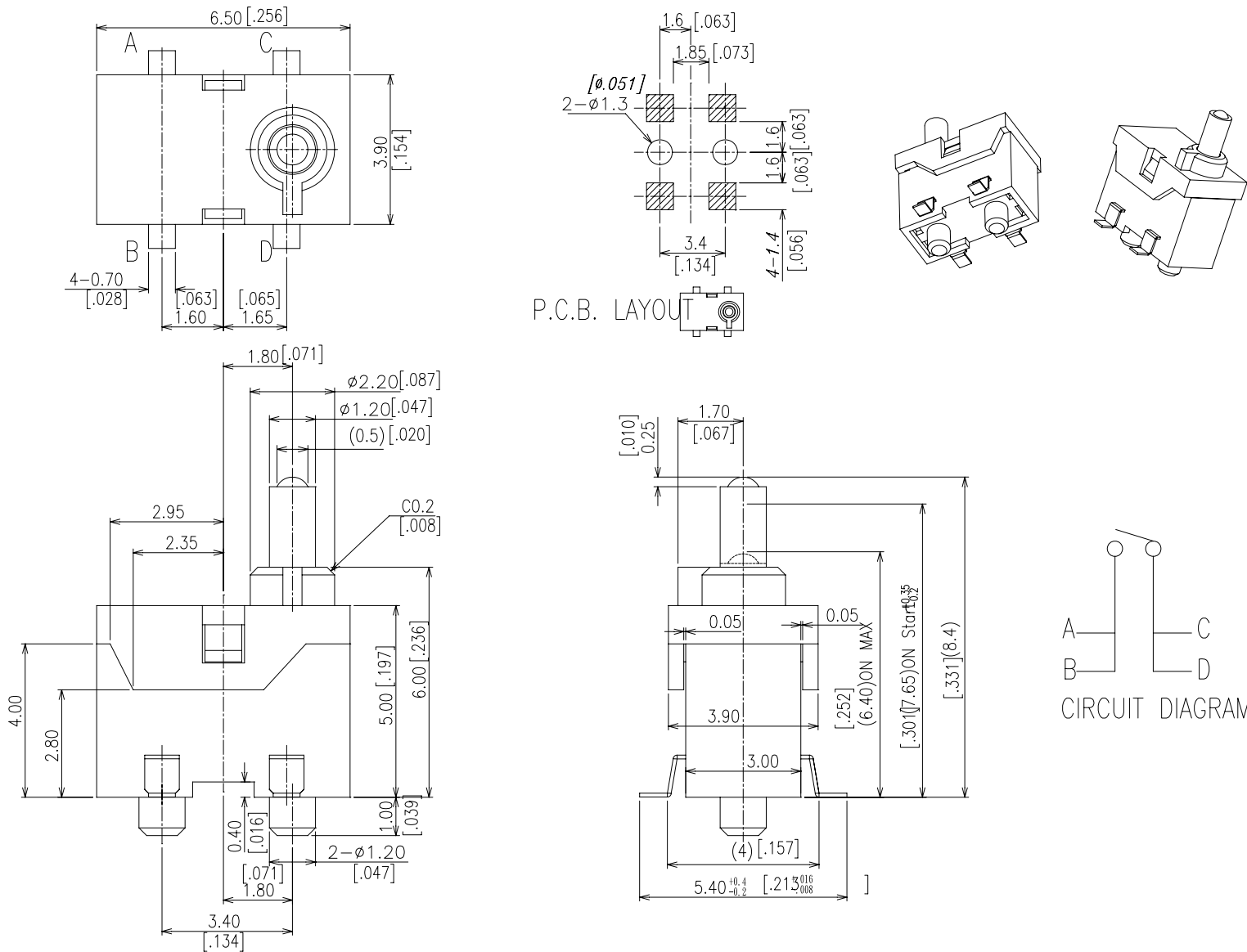


TE SERIES



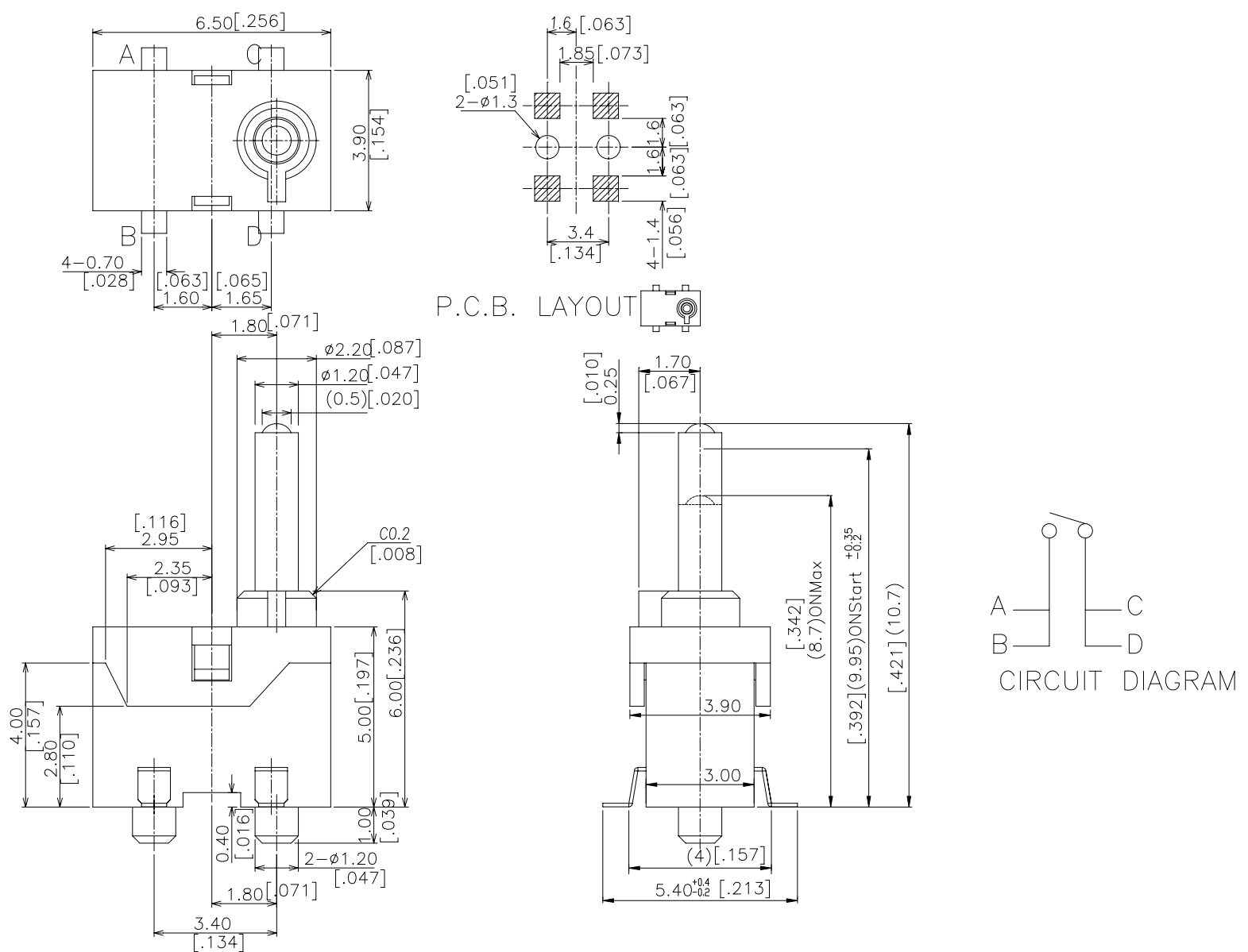
DIMENSIONS

TE-M



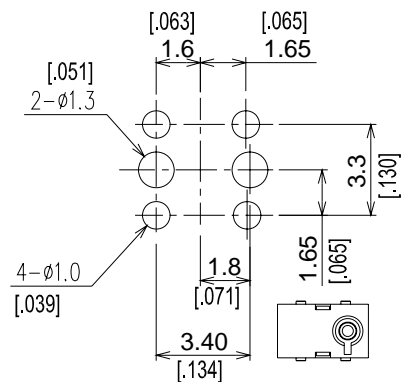
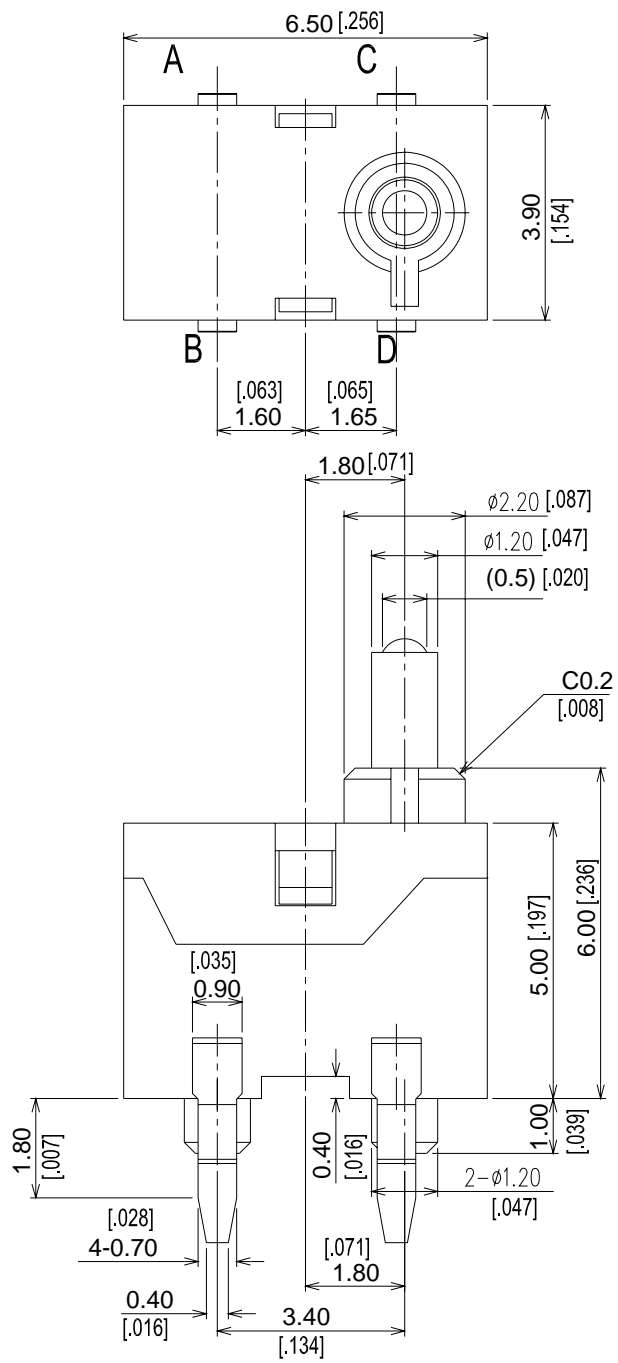
General Tolerance : $\pm 0.2\text{mm}$

TE-ML

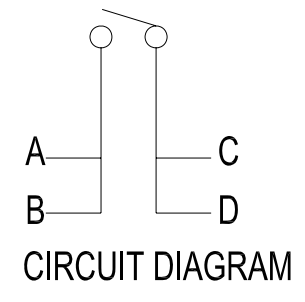
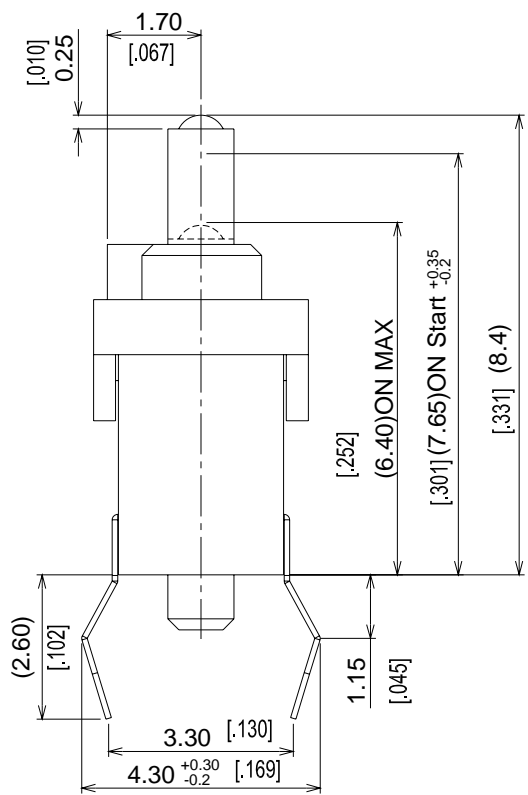
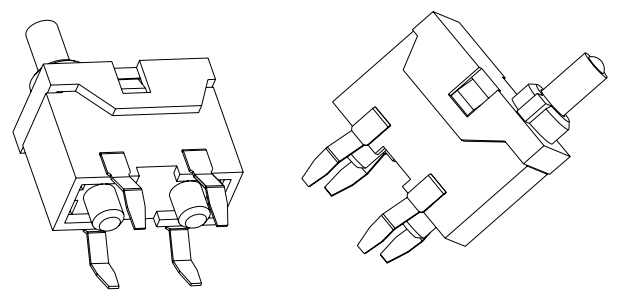


General Tolerance : $\pm 0.2\text{mm}$

TE-H

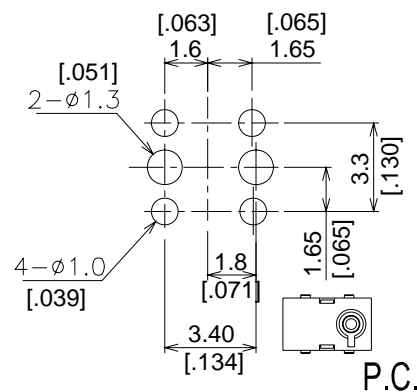
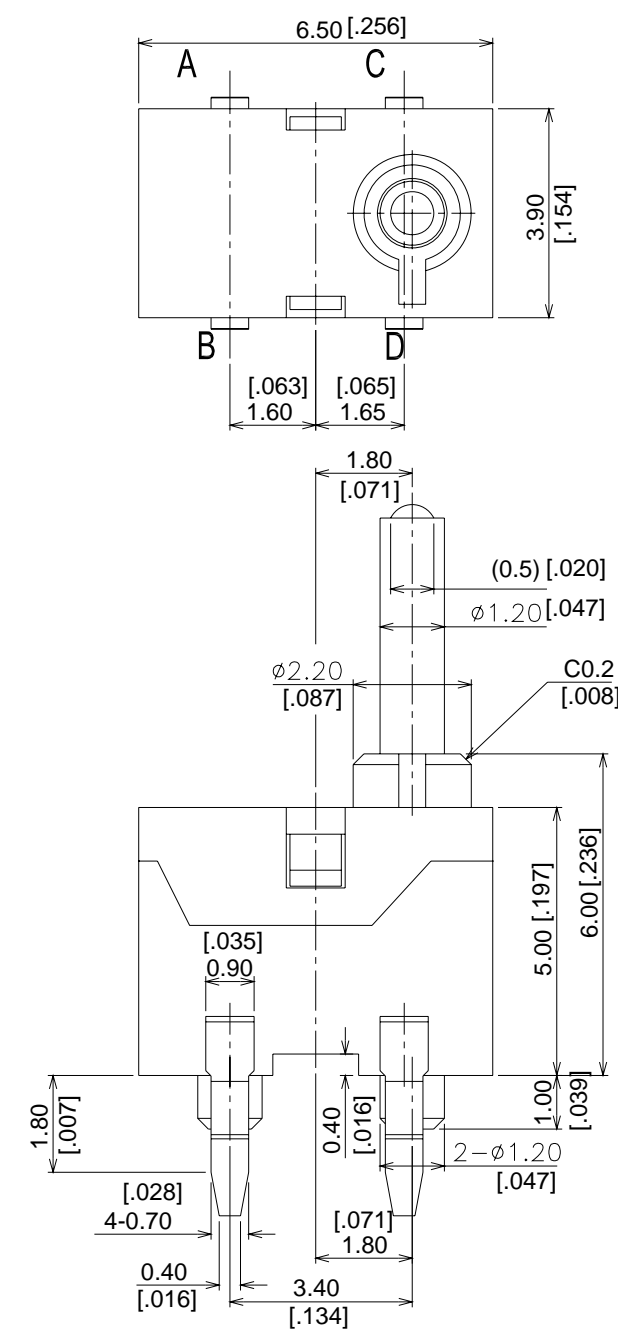


P.C.B. LAYOUT

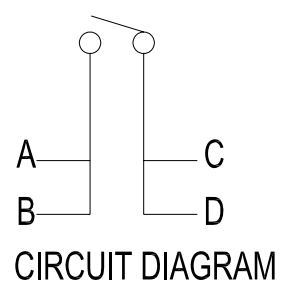
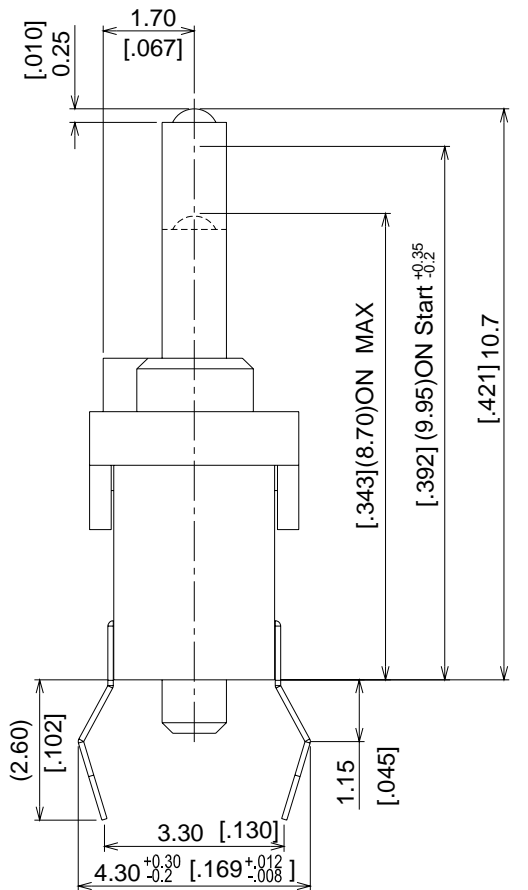


General Tolerance : ±0.2mm

TE-HL



P.C.B. LAYOUT



General Tolerance : ±0.2mm

HOW TO ORDER

TE - □ - □ - □ - □

Package Style:
T/R=Tape & Reel [only TE-M, TE-ML]
□ = Tube

Soldering:
V=Lead Free Solderable
Q=Halogen Free
Total Height:
L = 10.7mm
□ = 8.4mm

Terminal Type
M = SMT Terminals
H = Through Hole Type

Detector Switch

SPECIFICATION

△MECHANICAL

Operation Force: 30gf max.

Stroke: 2 mm

Operation Temperature: -20°C to +70°C

Storage Temperature: -30°C to +80°C

△ELECTRICAL

Electrical Life: 50,000 cycles

Rating: 5mA, 5VDC

Contact Resistance: 500MΩ max.

Insulation Resistance: 100MΩ min. at 250VDC

Dielectric Strength: 250VAC/ minute

Contact Arrangement: SPST

Contact Arrangement: 1pole 1throw

MATERIAL

△COVER: UL 94V-0 LCP High-temp thermoplastic
Color: Black

△BASE: UL 94V-0 LCP High-temp thermoplastic
Color: Black

△CONTACT DISC: Stainless steel with silver cladding

△TERMINAL: Phosphor bronze with silver plated

SOLDERING PROCESS

For best results, please follow these recommend conditions :

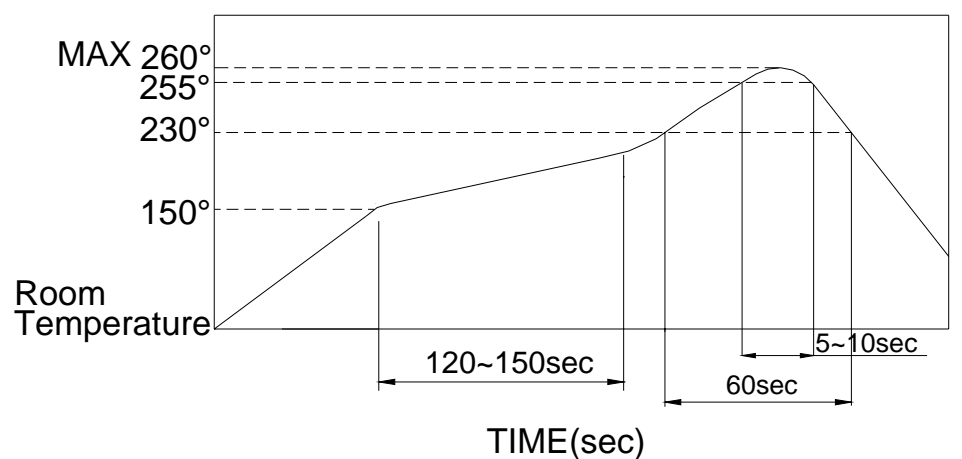
△HAND SOLDERING : Use a soldering iron of 30 watts, controlled at 608°F(320°C) approximately 2 seconds.

△WAVE SOLDERING: Recommended solder temperature at 500°F (260°C) max. 5 seconds for through hole type.

△REFLOW SOLDERING: When applying reflow soldering, the peak temperature or the reflow oven should be set at 260°C max.

△Make sure that there is no flux rise on the surface of The PCB.

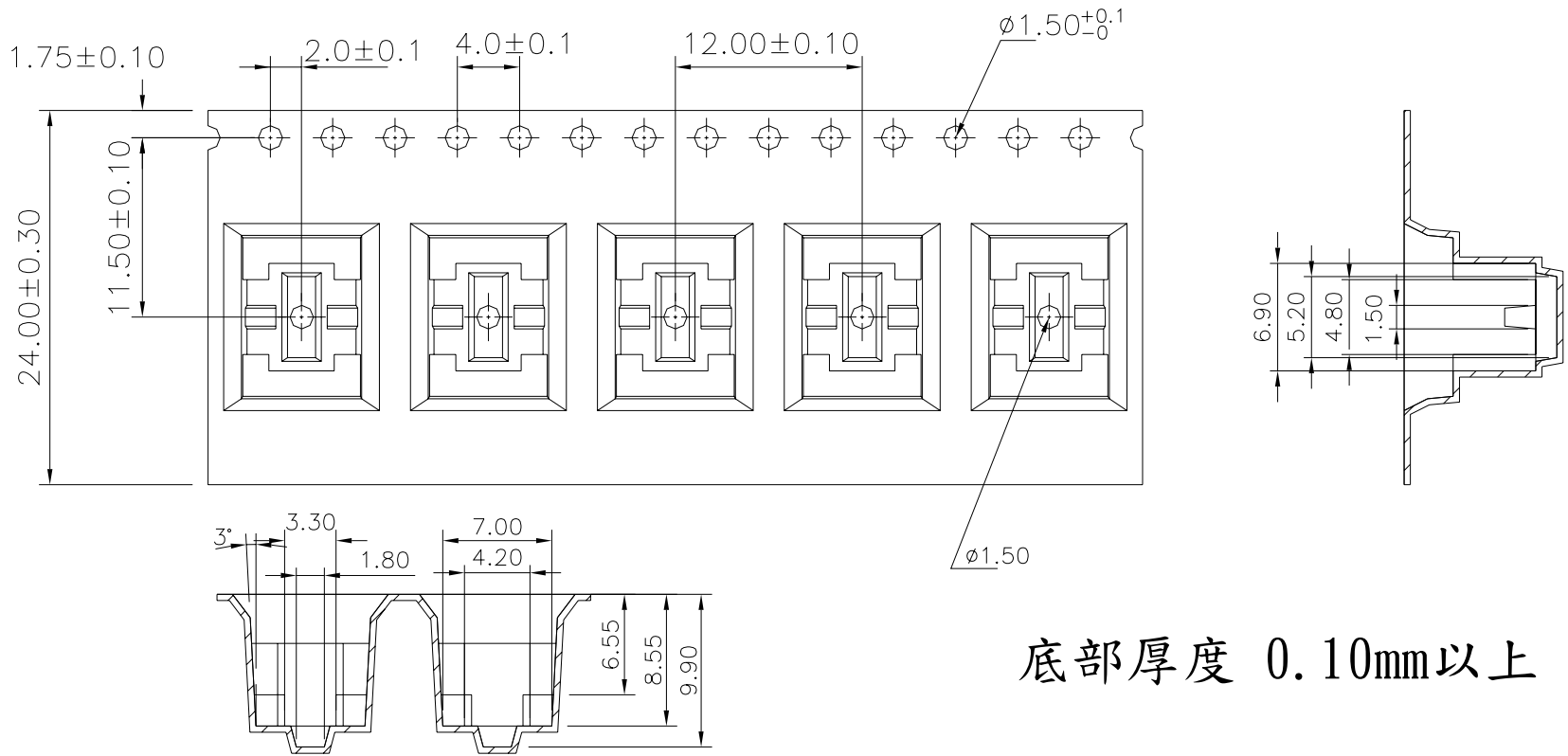
△Reflow Temperature Profile:



PACKING

Part Number	Number Per Tube	Number Per Reel
TE-M	72	500
TE-H	72	-
TE-ML	-	400

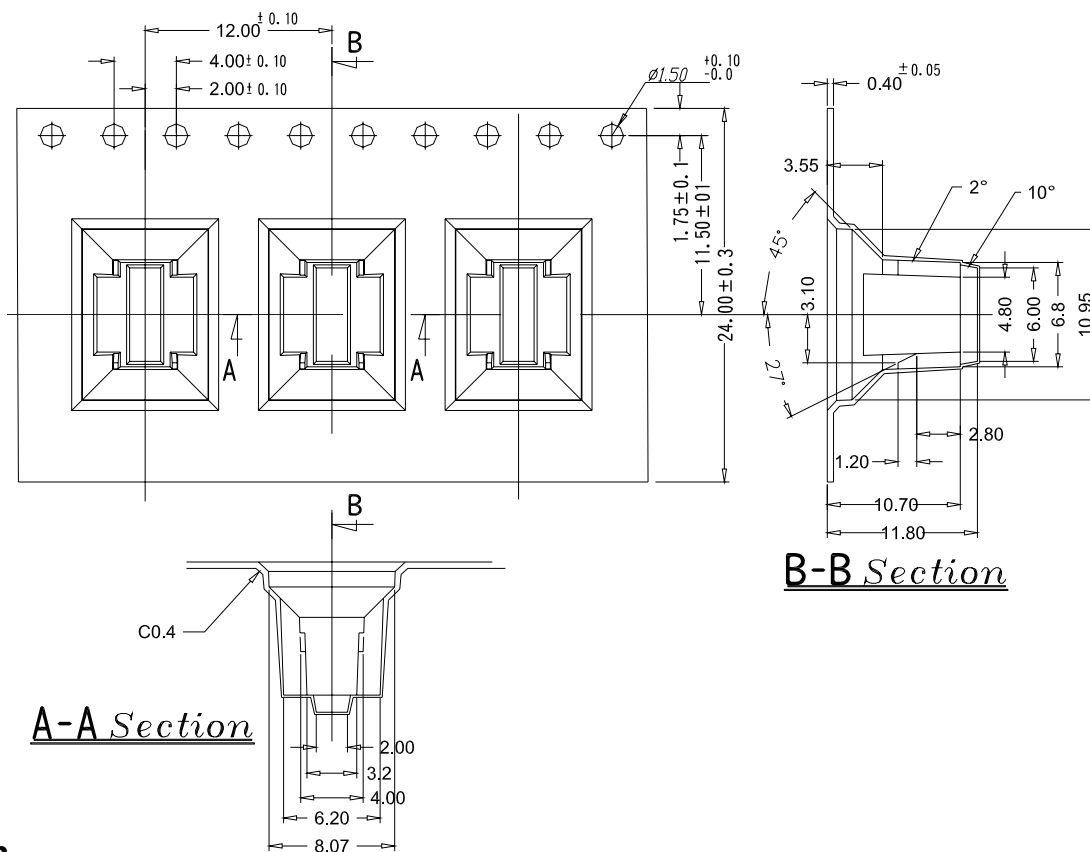
TE-M REEL



底部厚度 0.10mm以上

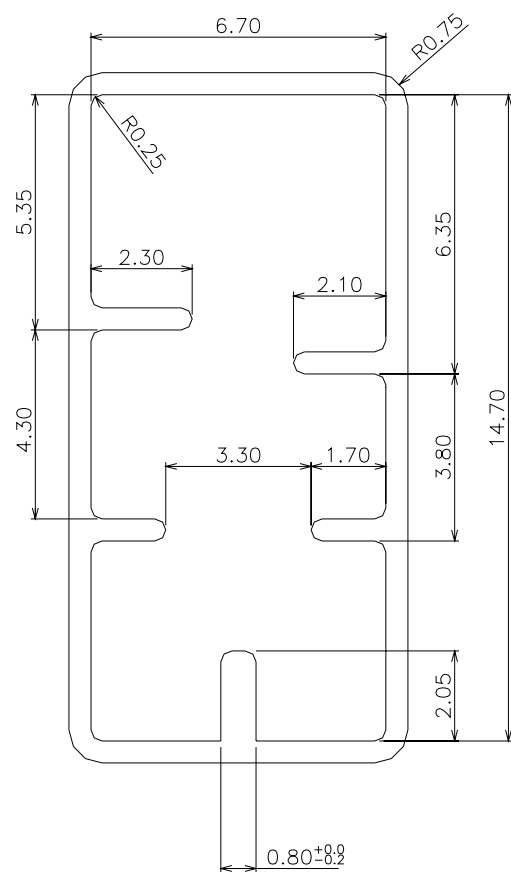
General Tolerance : ± 0.1 mm

TE-ML REEL



General Tolerance : ± 0.1 mm

TUBE



General Tolerance : ± 0.2 mm