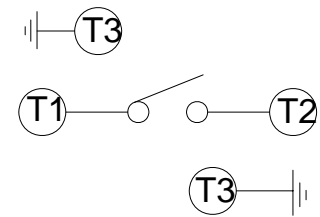
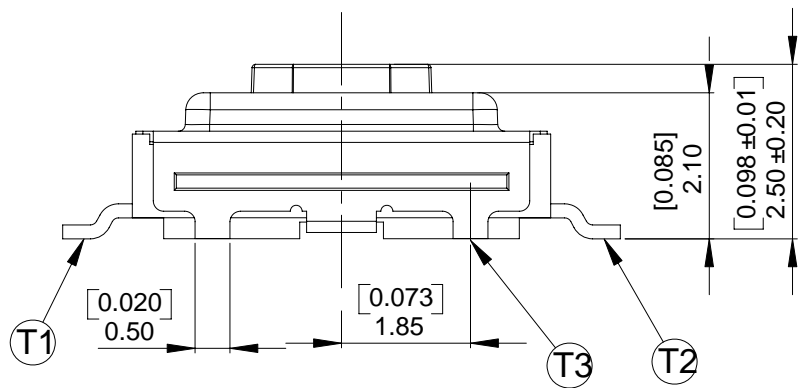
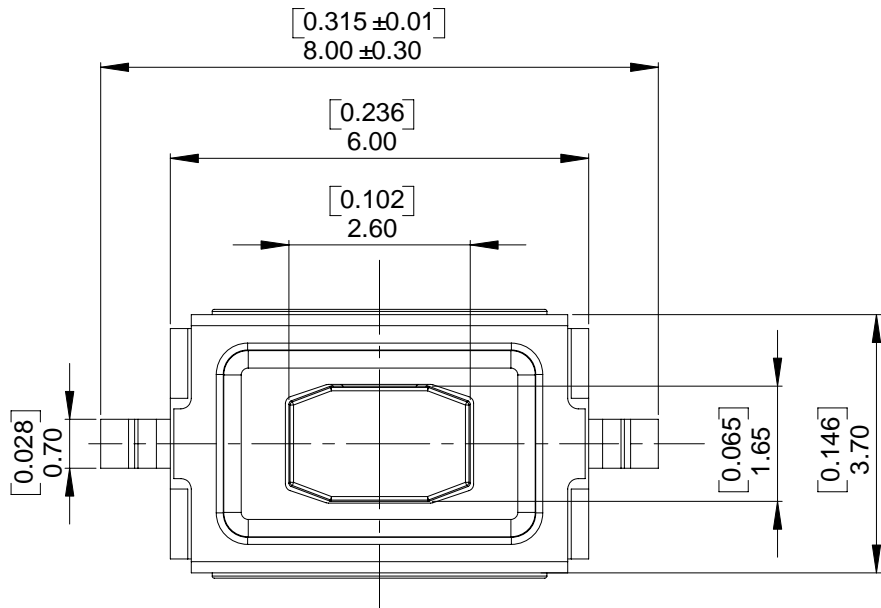


TM(J)G-325 SERIES

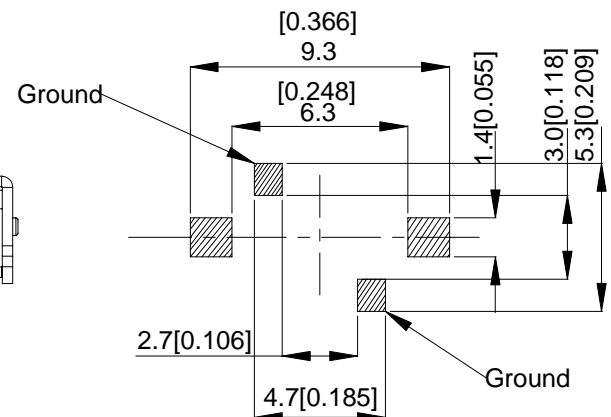


DIMENSION

TMG-325



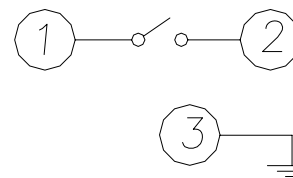
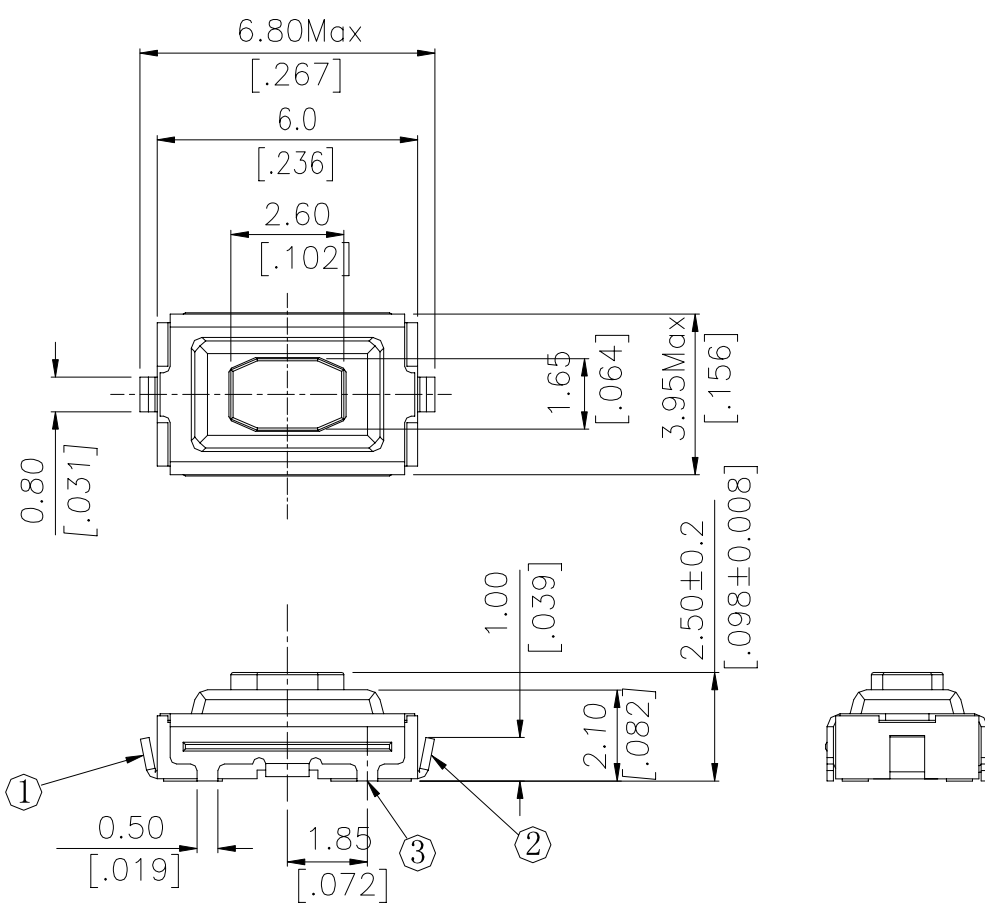
CIRCUIT DIAGRAM



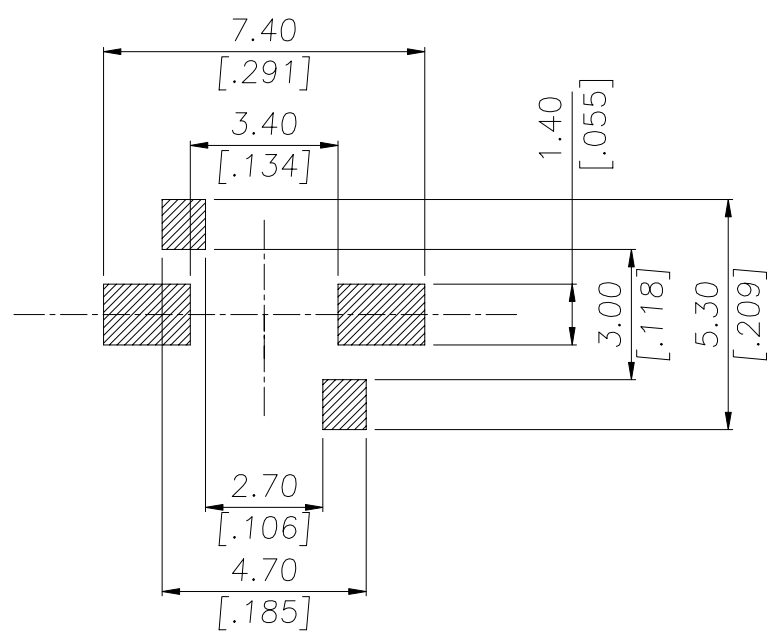
P.C.B. LAYOUT

General Tolerance : $\pm 0.2\text{mm}$

TJG-325



CIRCUIT DIAGRAM

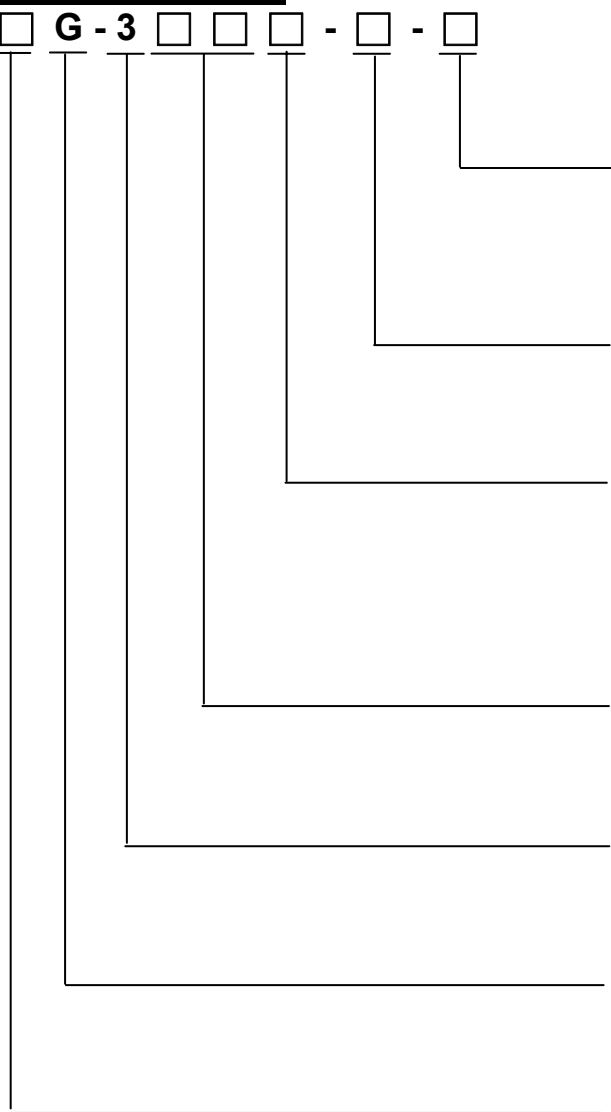


P.C.B. LAYOUT

General Tolerance : $\pm 0.2\text{mm}$

HOW TO ORDER

T G - 3 - -



Package Style :
 = Regular
 T/R = Tape & Reel

Solder :
 V = Lead Free
 Q = Halogen Free
Operating Force :
 N = 160gf, Brown
 R = 260gf, Red

Total Height :
 25 = 2.5mm

Prod. Size :
 3 = 3.5X6

Prod. Series :
 G = With Ground Terminal

Termination Type :
 M = Gull Wing
 J = J Bend

SPECIFICATION

△MECHANICAL

Operation Force : 160±50gf Brown(N)
 260±50gf Red(R)

Stroke:0.25+0.2/-0.1mm

Operation Temperature Range:-25°C to+70°C

Storage Temperature Range:-30°C to +80°C

△ELECTRICAL

Electrical Life: 50,000 cycles for 160gf.
 20,000 cycles for 260gf.

Rating: 50mA, 12VDC

Contact Resistance: 100mΩ max.

Insulation Resistance: 100MΩ min. at 500 VDC

Dielectric Strength: 250VAC/1 minute

Contact Arrangement : 1 pole 1 throw.

MATERIAL

△COVER : Nickel silver

△CONTACT DISC : Stainless with silver cladding

△TERMINAL : Brass with silver plated

△BASE : UL94V-0 Nylon High-Temp Thermoplastic
 COLOR : Black

△STEM : UL94V-0 Nylon High-Temp Thermoplastic
 COLOR : Brown (160g) Red (260g)

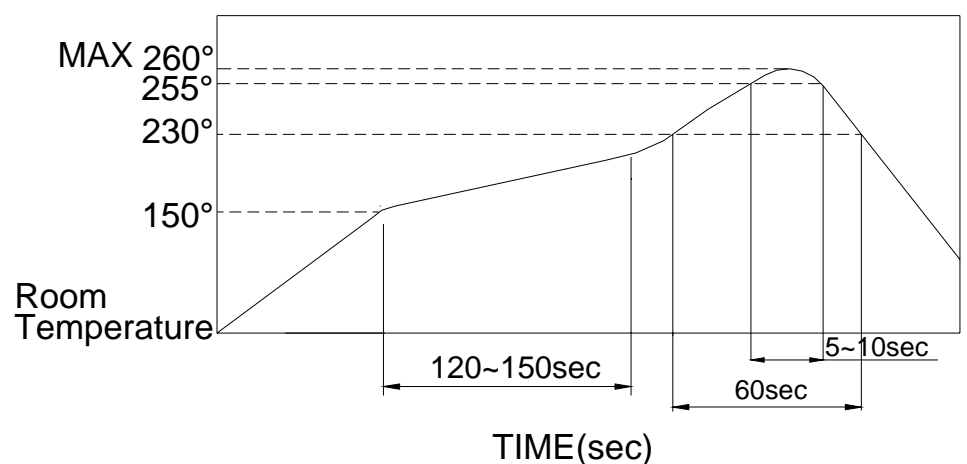
△TAPE : Teflon

SOLDERING PROCESS

△HAND SOLDERING : Use a soldering iron of 30 watts,
 Controlled at 608°F(320°C) approximately 2 seconds
 while applying solder.

△REFLOW SOLDERING : When applying reflow soldering,
 the peak temperature or the reflow oven should be set
 to 260°C max.

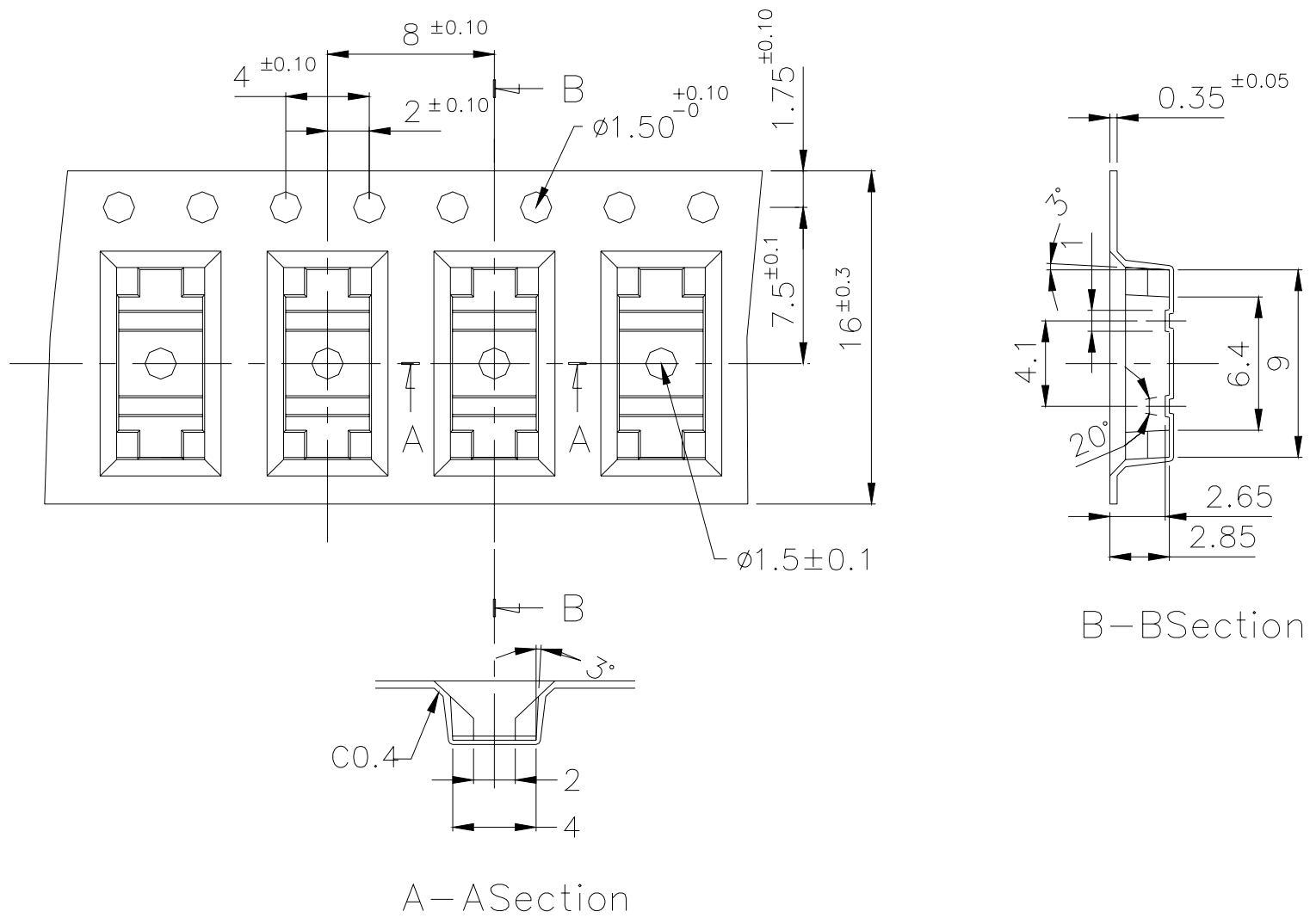
△Temperature Profile :



PACKING

REEL

Part Number	Number Per Tube	Number Per Reel
TMG-325	-	2800
TJG-325	-	2800



General Tolerance : ± 0.1 mm