

**FEATURES**

- ※Sealed IP67.
- ※Subminiature switch conforming to UL.
- ※PCB terminal available.
- ※Highly reliable with long operation life.

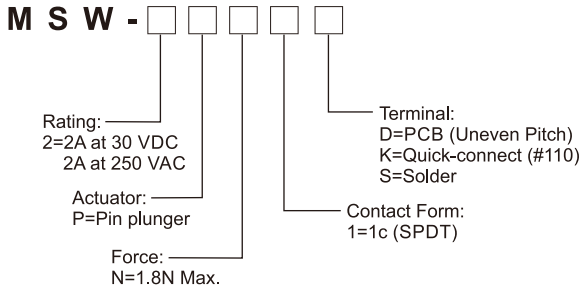
**APPLICATION**

- ※Kitchen appliances
- ※Vacuum cleaner, Printers
- ※White goods
- ※Intelligent lock and low-voltage apparatus

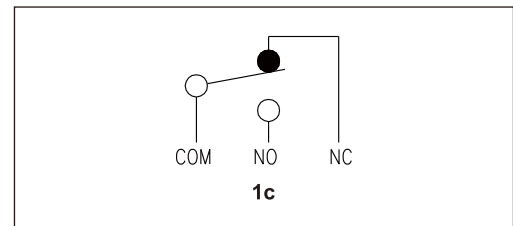
**SPECIFICATION**

Contact Rating	2A at 250V AC
Mechanical Durability	1,000,000 cycles min. (60 Operations/min)
Electrical Durability	50,000 cycles min. (20 Operations/min)
Contact Resistance	50mΩ max.
Insulation Resistance	100MΩ min. (at 500V VDC)
Dielectric Strength	Between terminals of the same polarity 1,000 VAC, 50/60 Hz for 1min
	Between current-carrying metal parts and ground 1,500 VAC, 50/60 Hz for 1min
Vibration Resistance	Malfunction : 10 ~ 55 Hz, 1.5mm double amplitude
	Destruction : 1,000 m/s <sup>2</sup> max.
Shock Resistance	Malfunction : 300 m/s <sup>2</sup> max.
	Operating Speed
Operating Frequency	Machanical : 120 operations/min max.
	Electrical : 20 operations/min max.
Operating Temp.	-40°C~+85°C

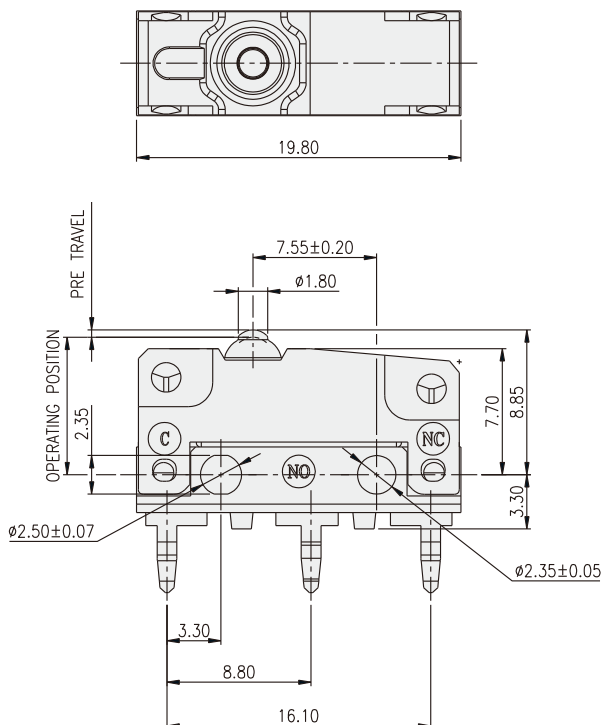
**HOW TO ORDER**



**CIRCUIT**



**MSW-2PN-1D**



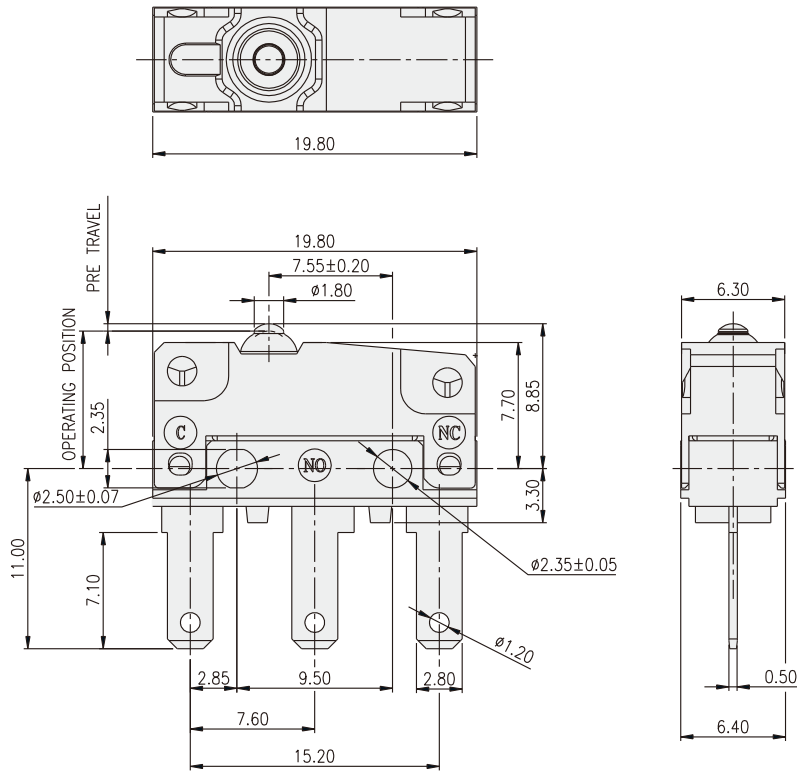
OPERATING CHARACTERISTICS

ITEM	SPEC.
OPERATING FORCE	1.8N MAX.
RELEASE FORCE	0.2N MIN.
OVERTRAVEL	0.40mm MIN.
MOVEMENT DIFFERENTIAL	0.15mm MAX.
OPERATING POSITION	8.40±0.30mm
PRE TRAVEL	0.60mm MAX.

**MSW-2PN-1K**

OPERATING CHARACTERISTICS

ITEM	SPEC.
OPERATING FORCE	1.8N MAX.
RELEASE FORCE	0.2N MIN.
OVERTRAVEL	0.40mm MIN.
MOVEMENT DIFFERENTIAL	0.15mm MAX.
OPERATING POSITION	8.40±0.30mm
PRE TRAVEL	0.60mm MAX.



**MSW-2PN-1S**

OPERATING CHARACTERISTICS

ITEM	SPEC.
OPERATING FORCE	1.8N MAX.
RELEASE FORCE	0.2N MIN.
OVERTRAVEL	0.40mm MIN.
MOVEMENT DIFFERENTIAL	0.15mm MAX.
OPERATING POSITION	8.40±0.30mm
PRE TRAVEL	0.60mm MAX.

