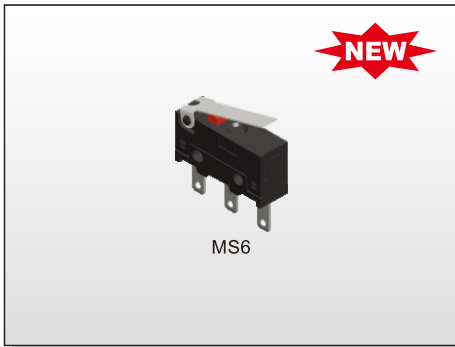


# MICRO SWITCH MS6 SERIES



MS6

## FEATURES

- ※ Compact size: 19.8x6.4x9.4mm
- ※ Quick-connect terminal
- ※ High reliability with long operation life

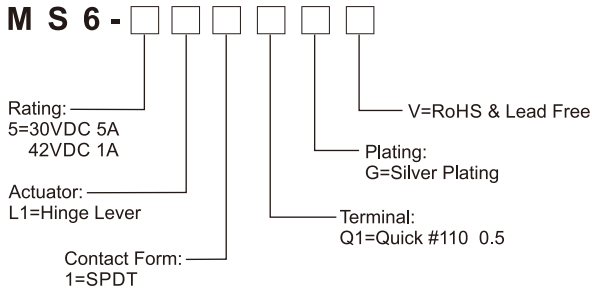
## APPLICATION

- ※ OA equipment
- ※ White goods
- ※ Automotive industry

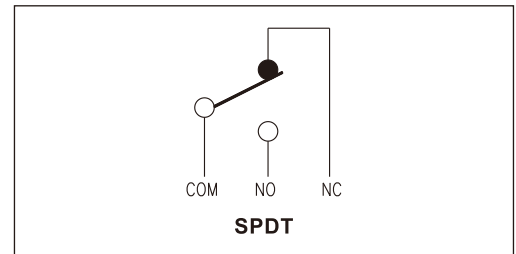
## SPECIFICATION

Contact Rating	5A at 30VDC/1A at 42VDC
Mechanical Durability	300,000 cycles MIN.
Electrical Durability	100,000 cycles MIN.
Contact Resistance	50mΩ MAX.
Insulation Resistance	100MΩ MIN. (at 500VDC)
Dielectric Strength	Between terminals of the same polarity: 600VAC(50Hz or 60Hz) shall be applied across terminals for 1 minute
	Between each terminal and ground: 1500VAC(50Hz or 60Hz) shall be applied across terminals for 1 minute
	Between each terminal and n-current-carrying metal parts 1500VAC (50Hz or 60Hz) shall be applied across terminals for 1 minute
Operating Temp.	-25°C ~ +85°C

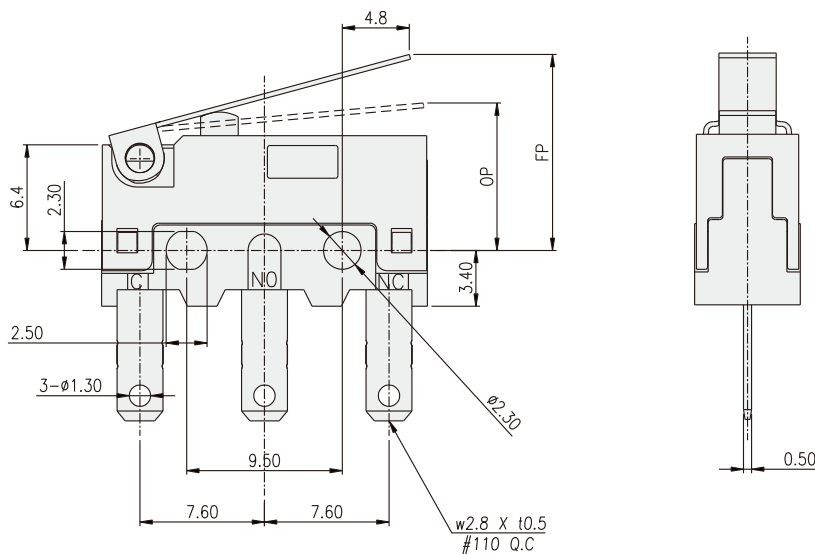
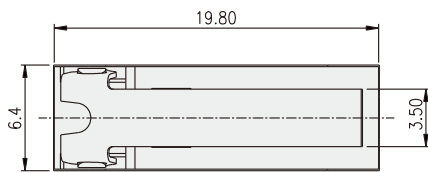
## HOW TO ORDER



## CIRCUIT



## MS6-5L11Q1GV



## OPERATING CHARACTERISTICS

ITEM	SPEC.
OPERATING FORCE(OF)	58.8gf (0.58N)MAX.
RELEASE FORCE(RF)	3gf (0.03N) MIN.
FREE POSITION(FP)	12.6mm MAX.
OVERTRAVEL(OT)	1.3mm MIN.
MOVEMENT DIFFERENTIAL(MD)	0.9mm MAX.
OPERATING POSITION(OP)	9.0±1.0mm