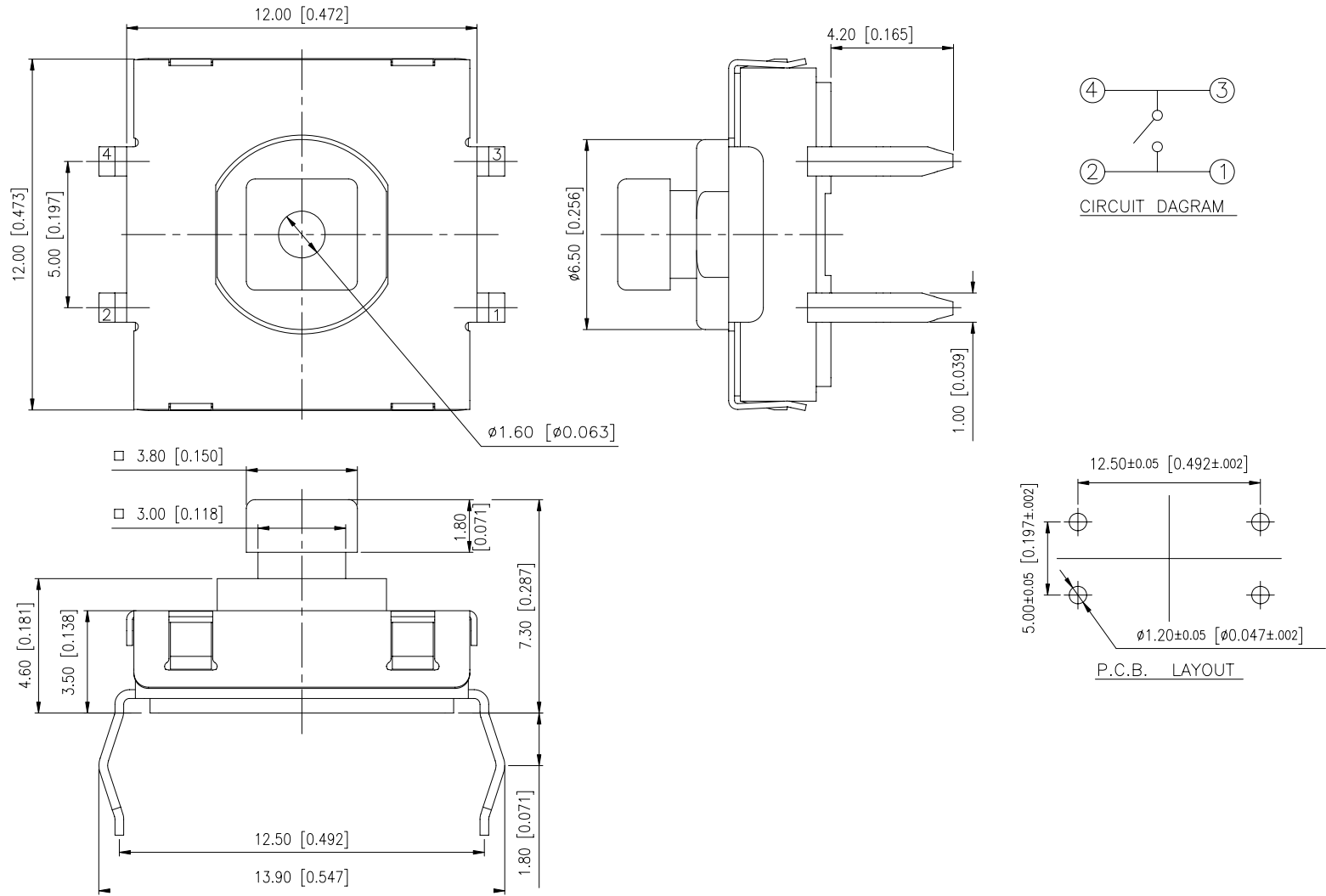


DTS□W-2 SERIES

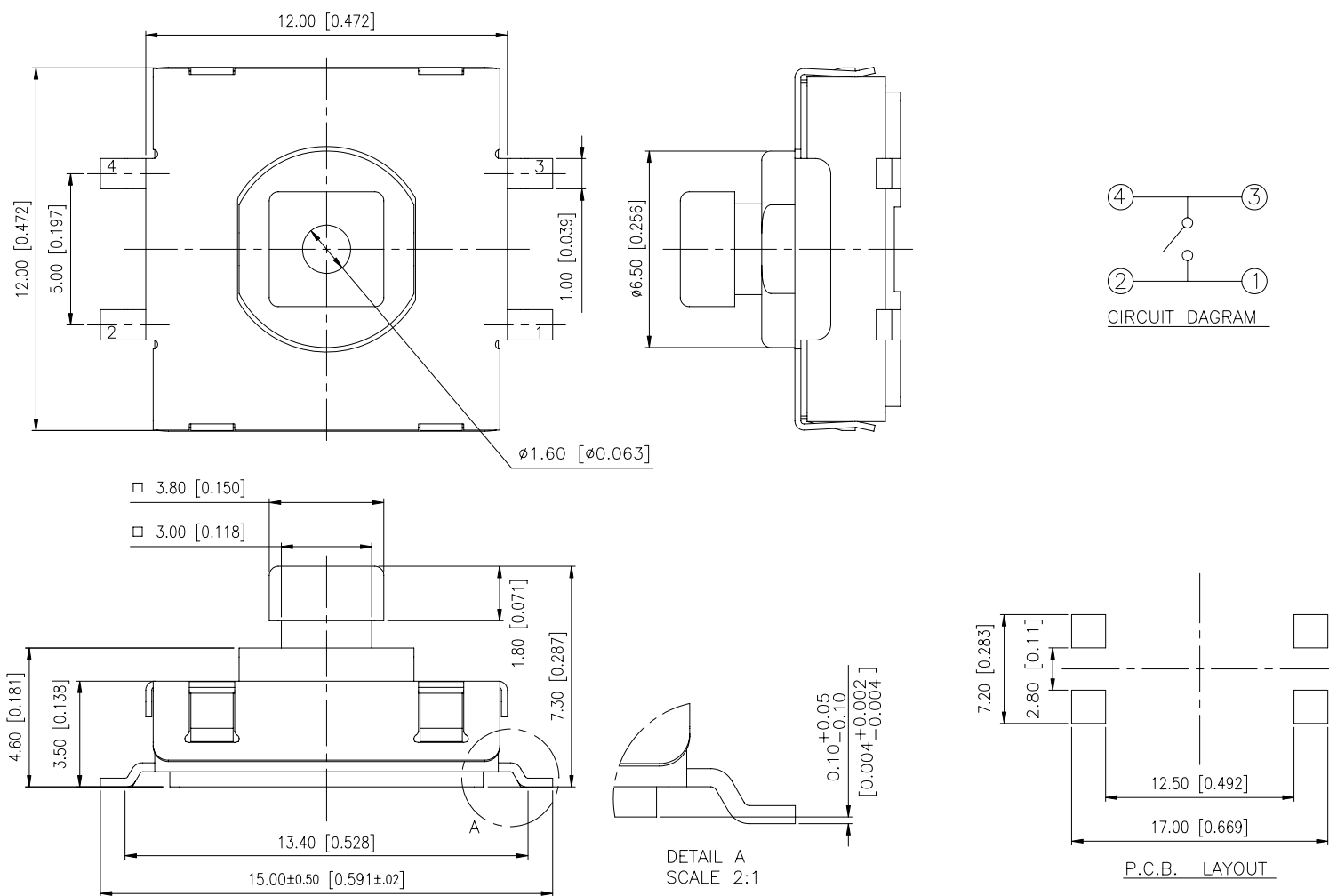
**DIMENSIONS**

**DTSHW-24□-Q**



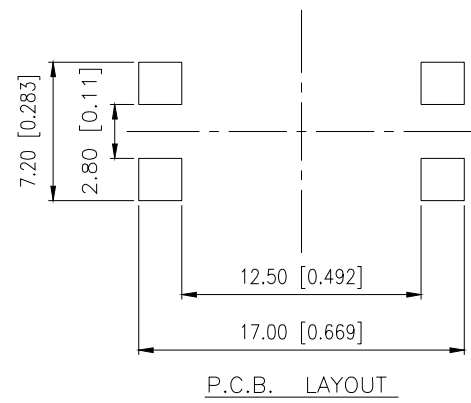
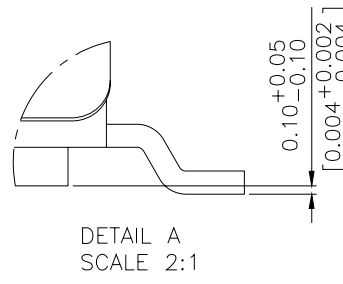
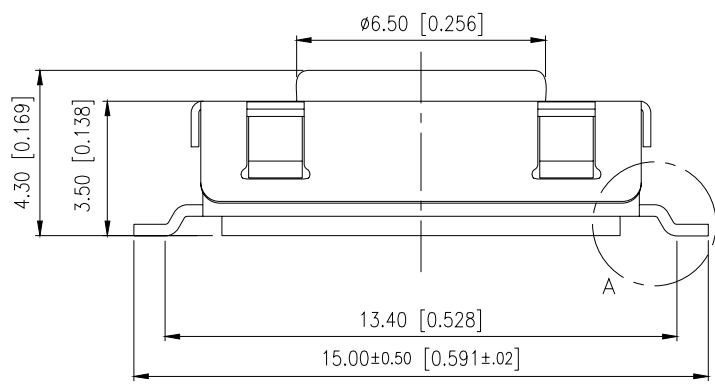
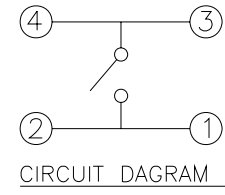
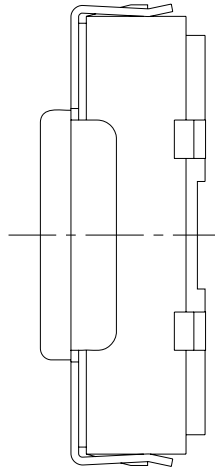
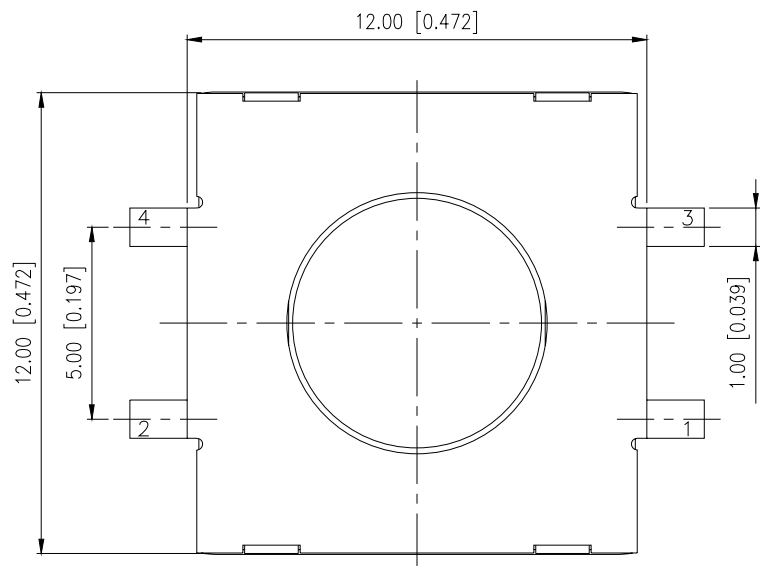
General Tolerance :  $\pm 0.2\text{mm}$

**DTSMW-24□-Q**



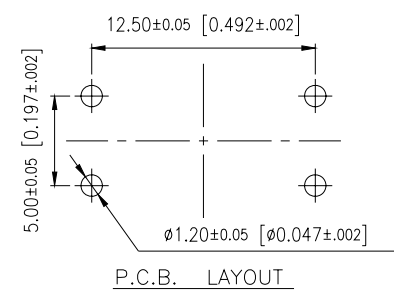
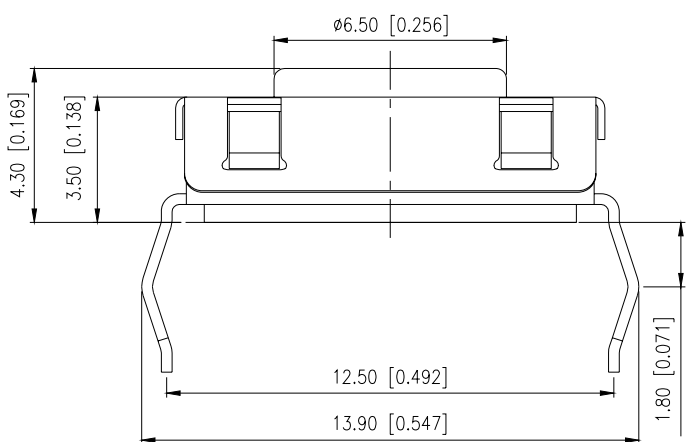
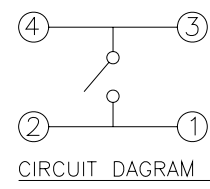
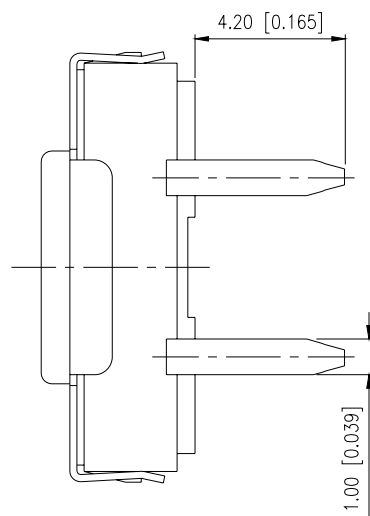
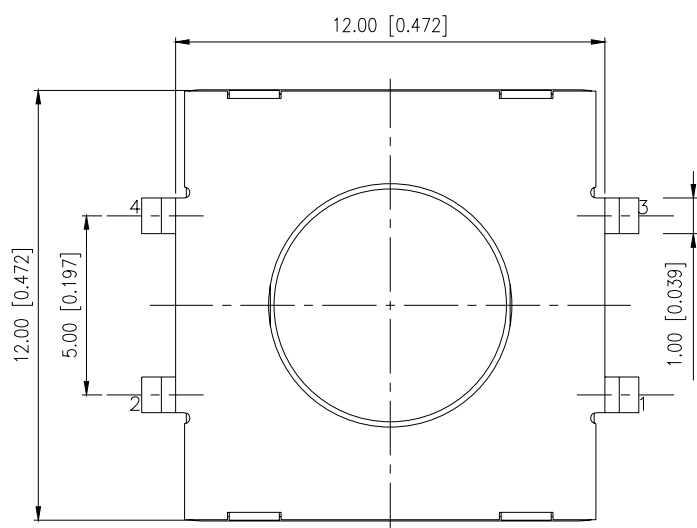
General Tolerance :  $\pm 0.2\text{mm}$

**DTSMW-21□-Q**



**General Tolerance : ±0.2mm**

**DTSHW-21□-Q**



**General Tolerance : ±0.2mm**

## HOW TO ORDER

D T S  W - 2   - Q -

Package:  
T/R=Tape & Reel  
B=Tube

Halogen Free

Color Of Stem For Operating Force:

K=Black,100gf  
N=Brown,160gf  
R=Red,260gf  
S=White,320gf  
Y=Yellow,520gf

Height:

1=4.3mm  
4=7.3mm

With Washable Tape

Termination Type :

H = Through Hole  
M = S.M.T.

## SPECIFICATION

### △MECHANICAL

Operation Force:

520± 130gf, Yellow  
320± 80gf, Salmon  
260± 50gf, Red  
160± 50gf, Brown  
100± 50gf, Black

Stroke: 0.35±0.1 mm

Operation Temperature: -40°C to +80°C

Storage Temperature Range : -40°C+85°C

### △ELECTRICAL

Electrical Life:

1,000,000 cycles min. for 100.160.260gf  
500,000 cycles min. for 320.520gf

Rating: 50mA, 24VDC

Contact Resistance: 100mΩ max.

Insulation Resistance: 100MΩ min. at 250VDC

Dielectric Strength: 250VAC/ minute

Contact Arrangement: 1 pole 1 throw

## MATERIAL

△COVER: Stainless steel

△TERMINAL: Brass with silver plated

△BASE: UL94V-0 High-Temp. Thermoplastic  
Color: Black

△CONTACT : STAINLESS STEEL

△STEM : UL94V-0 High-Temp. Thermoplastic

△Sealed Gasket : Silicone  
Color: Black

## SOLDERING PROCESS

△WAVE SOLDERING : Recommended solder temperature at 500°F ( 260°C ) max. 5 seconds subject to PCB 1.6mm thickness (soldering for through hole type)

△HAND SOLDERING : Use a soldering iron of 30 watts, controlled at 350°C approximately 5 seconds while applying solder.

△REFLOW SOLDERING :

△ Temperature Profile:

