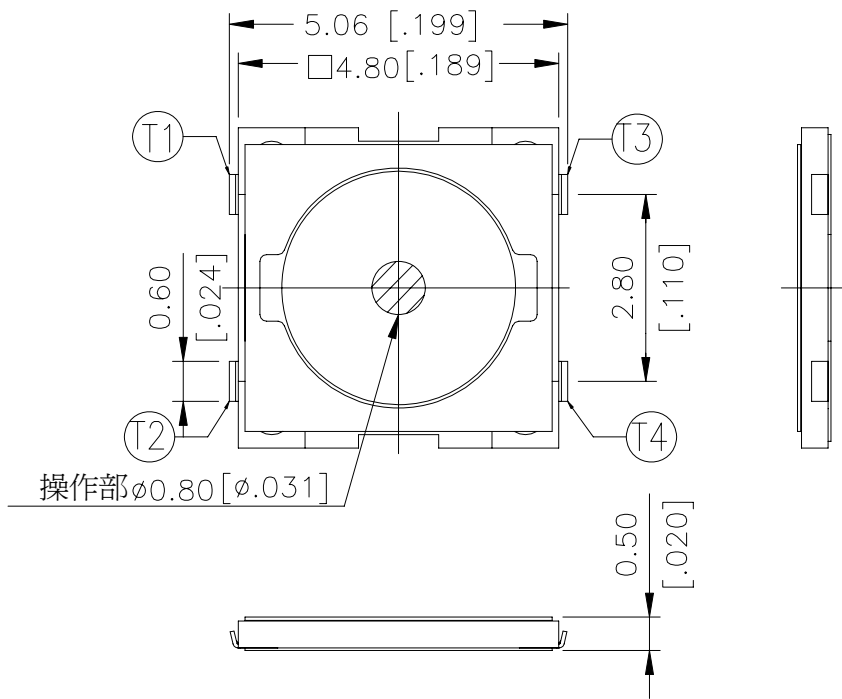


T4BJ SERIES

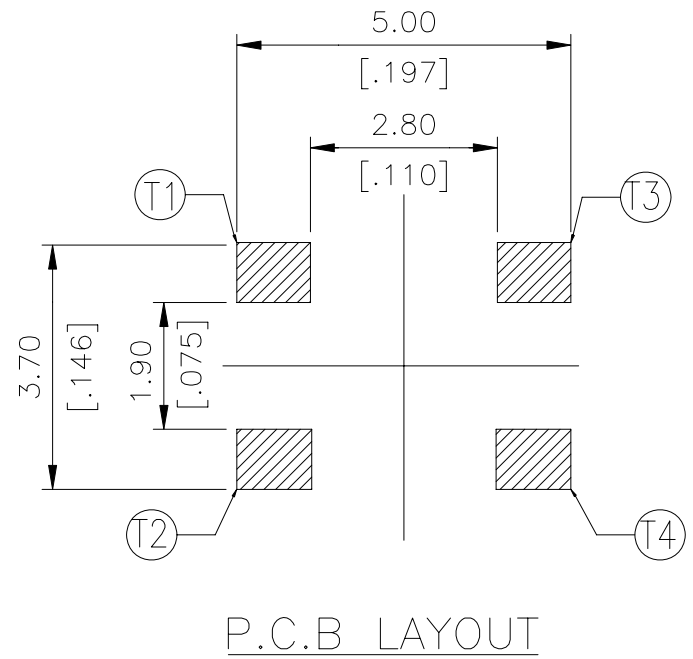


DIMENSION

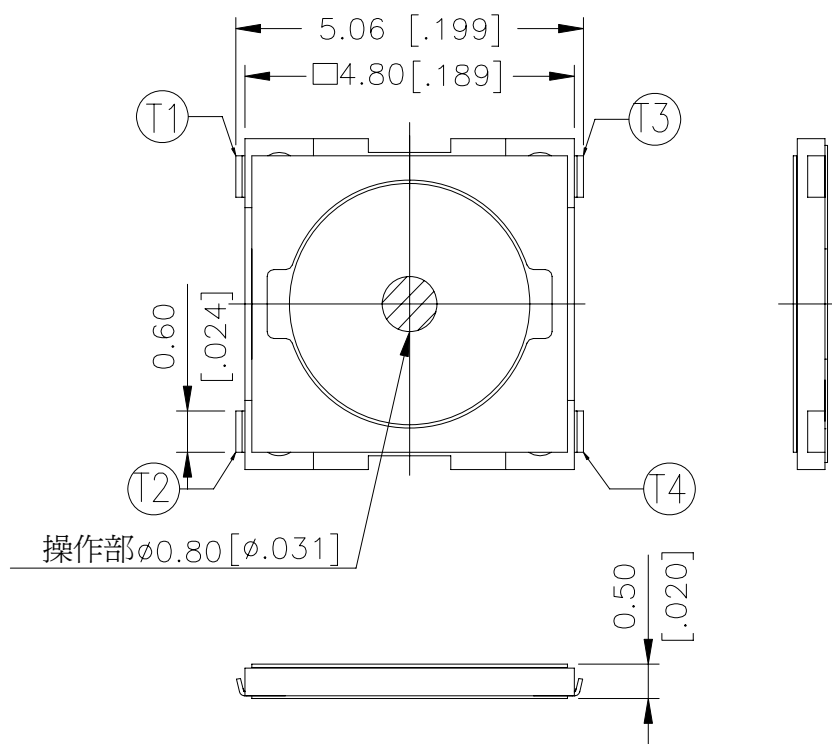
T4BJA



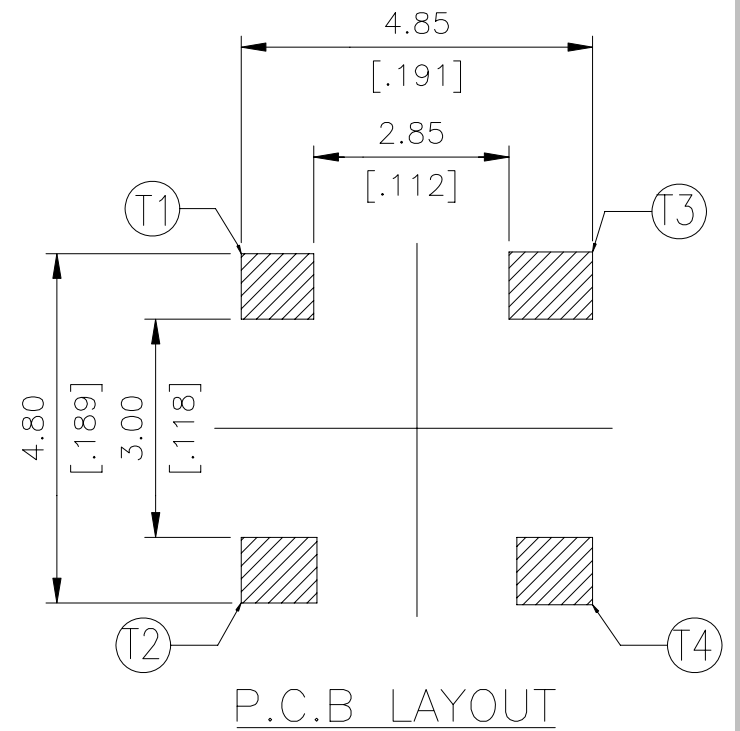
PART NO	OF
T4BJA10-Q	100gf
T4BJA16-Q	160gf
T4BJA20-Q	200gf
T4BJA26-Q	260gf



T4BJB



PART NO	OF
T4BJB10-Q	100gf
T4BJB16-Q	160gf
T4BJB20-Q	200gf
T4BJB26-Q	260gf



HOW TO ORDER

T 4 B J □ - □ □ - Q - □

Package :
T/R = Tape & Reel

Halogen Free

Operating Force :

10 = 100gf

16 = 160gf

20 = 200gf

26 = 260gf

The Middle OF Pitch :

A = 2.8mm

B = 3.7mm

J Terminal SMT Type

Tact Switch 4.8x4.8

SPECIFICATION

△MECHANICAL

Operation Force : 100±50gf

160±50gf

200±50gf

260±50gf

Stroke : 0.2±0.1mm

Operation Temperature Range : -40°C to +80°C

Storage Temperature Range : -40°C to +80°C

△ELECTRICAL

Electrical Life : 200,000 cycles for 100gf、160gf.

100,000 cycles for 200gf、260gf.

50 mA, 12 VDC

Contact Resistance : 100 mΩ max.

Insulation Resistance : 100MΩ min. at 100 VDC

Dielectric Strength: 100 VAC/1 minute

Contact Arrangement : 1 pole 1throw

MATERIAL

△BASE : UL 94V-0 LCP High-Temp Thermoplastic.

Color : Black

△CONTACT : Stainless steel with silver cladding.

△TERMINAL : Phosphor bronze with silver cladding.

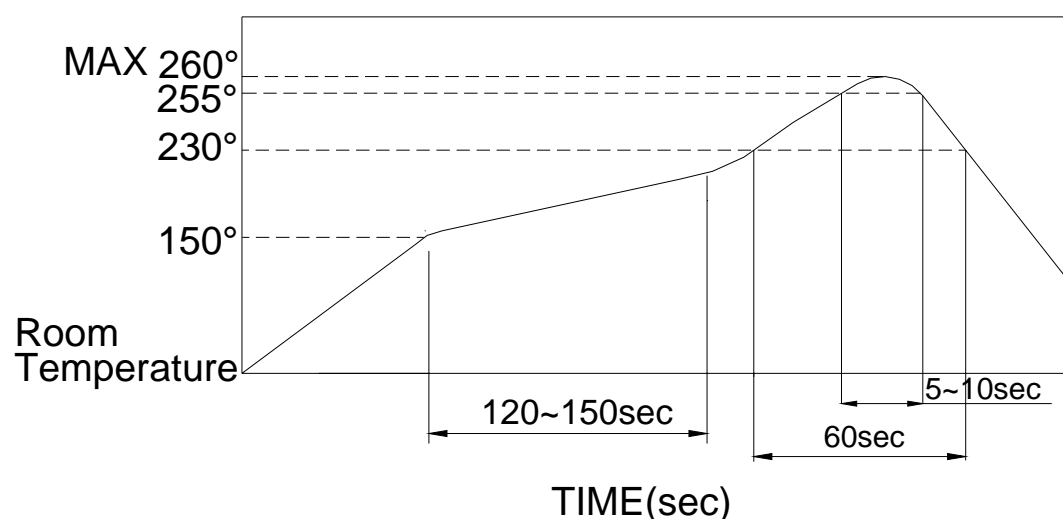
△TAPE : Kapton.

SOLDERING PROCESS

△HAND SOLDERING : Use a soldering iron of 30 watts, controlled at 350°C approximately 5 seconds while applying solder.

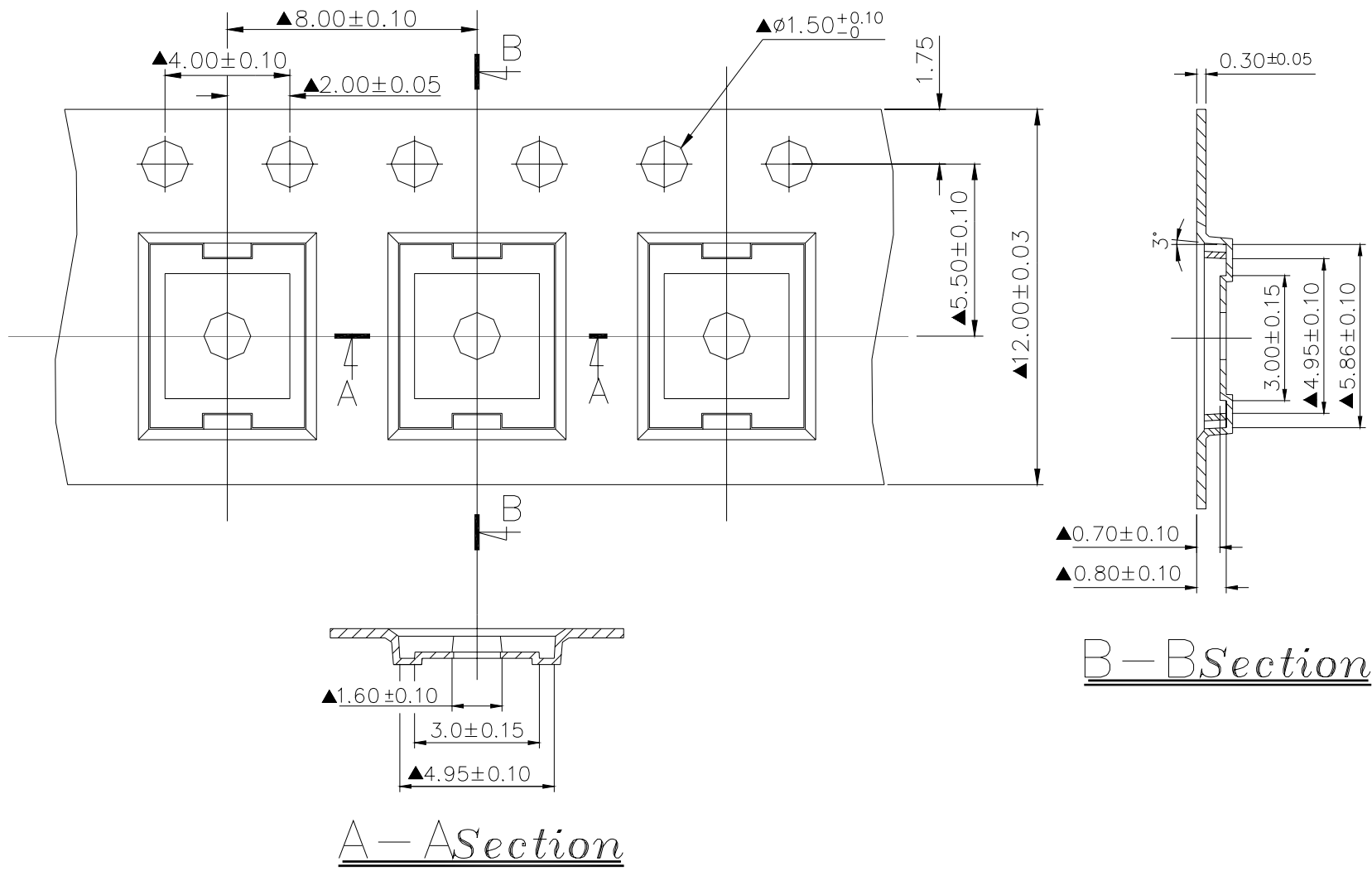
△REFLOW SOLDERING : Vapor phase & reflow soldering can be applied.

△Temperature Profile :



PACKING

Part Number	Number Per Tube	Number Per Reel
T4BJ	-	8000



B-B Section

A-A Section

General Tolerance : ± 0.1 mm