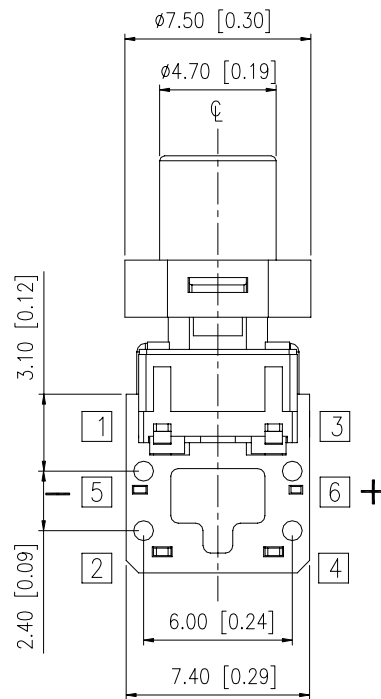
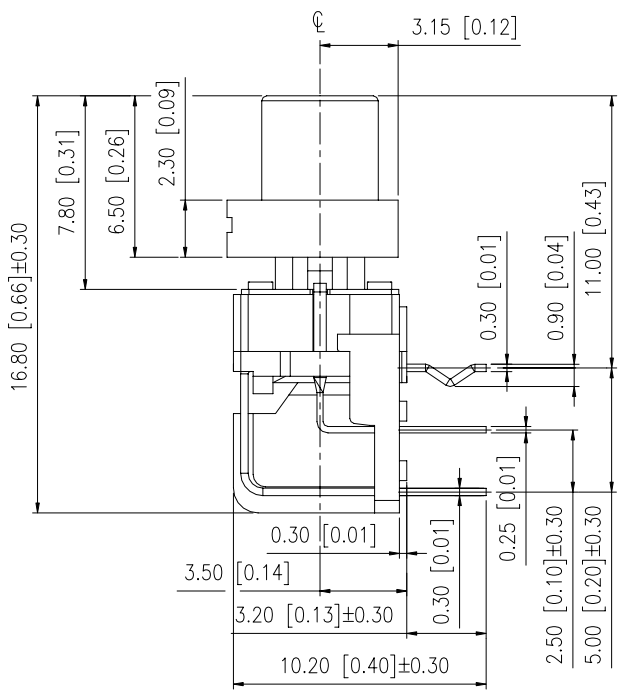
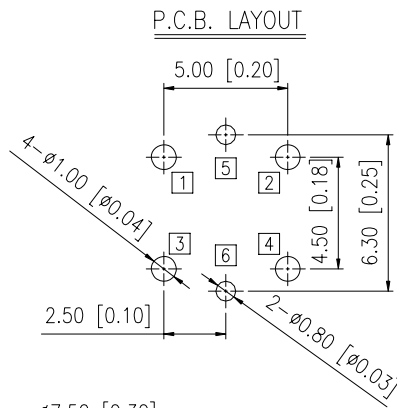
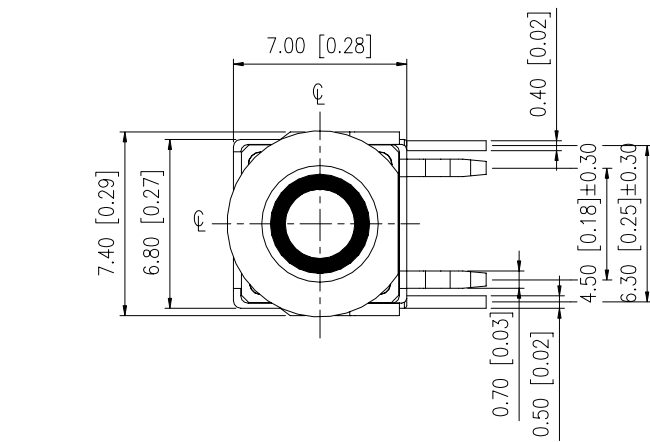


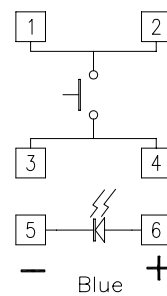
TLLA-72 SERIES

DIMENSIONS

TLLA-72□□-R1KH0-□-Q

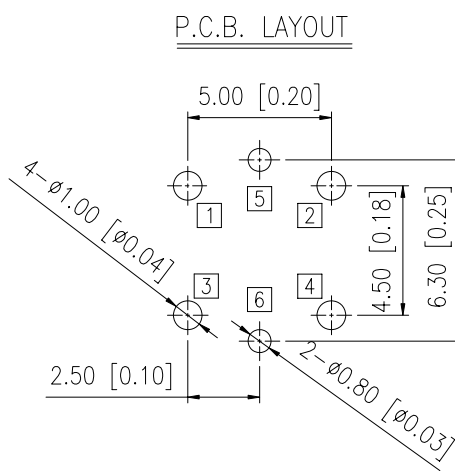
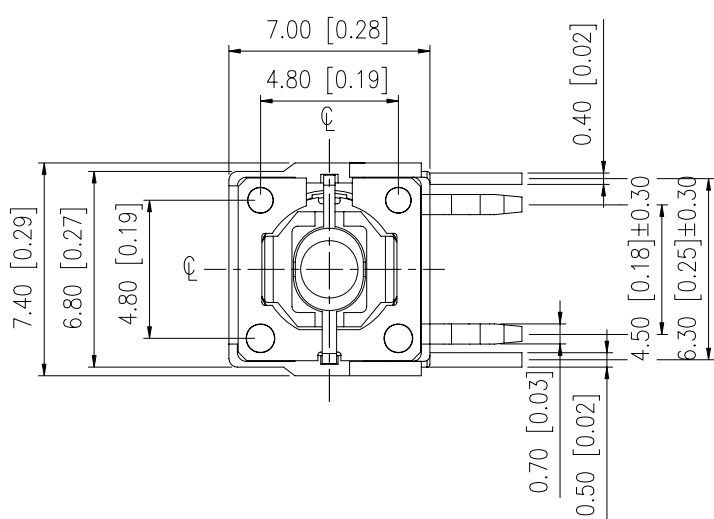


SCHMATIC

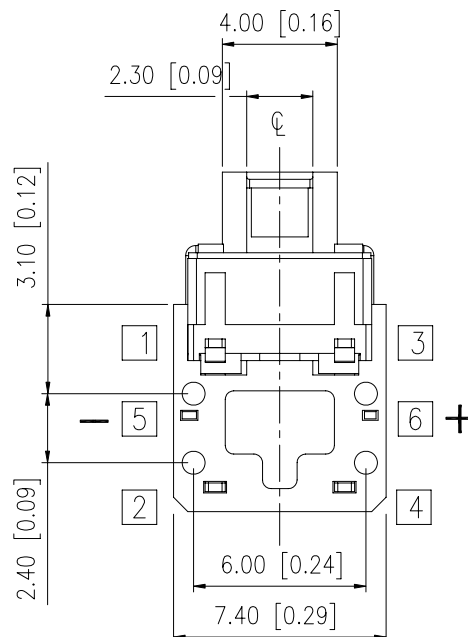
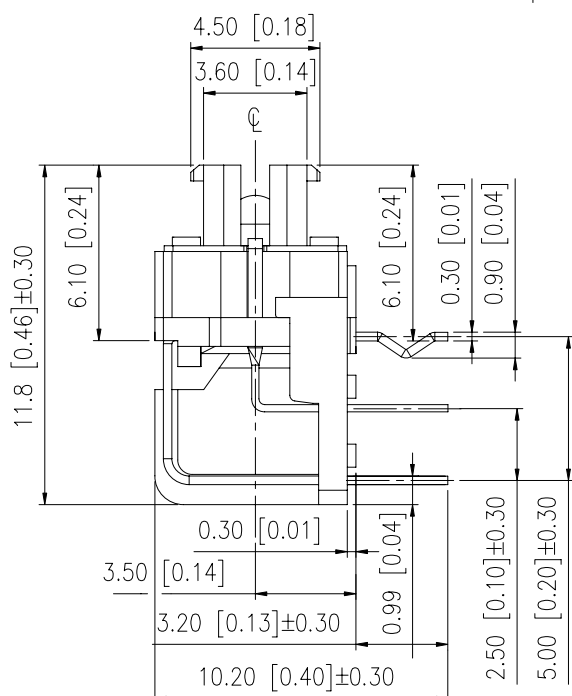
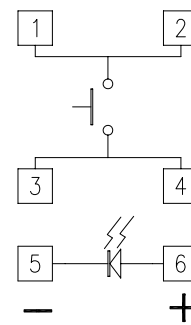


General Tolerance : ±0.2mm

TLLA-72□□-□-Q



SCHMATIC



General Tolerance : ±0.2mm

HOW TO ORDER

TL □ A - 7 □ □ □ - □ □ □ - □ □ □ - □ □ □ - □ □ □

Package:
B=Tube
A=Tray


Q= Halogen Free(Without CAP)
V=Lead Free Solderable
S=Super Light

□=Standard
CAP mark(See note behind)
(EX:A0=0) □=Standard

CAP color
Y=Yellow K=Black R=Red A=Gray
B=Blue S=Silver G=Green T=Transparent

CAP type
(See note behind)(EX:R1=Round)

LED Color
□=Without LED
R=Red B=Blue G=Green Y=Yellow W=White
PG=Pure green AW=Amber\White AG= Amber\Green
APG= Amber\Pure green RG=Red\Yellow Green

LED Specification
B  or □ = Without LED

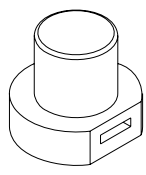
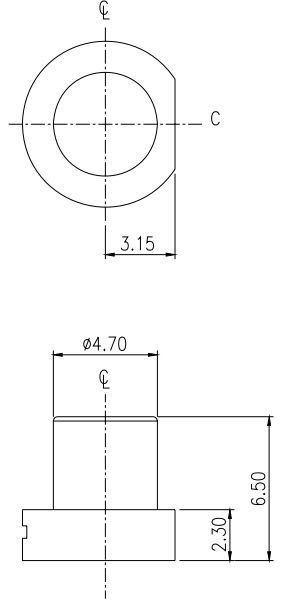
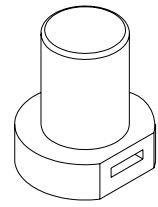
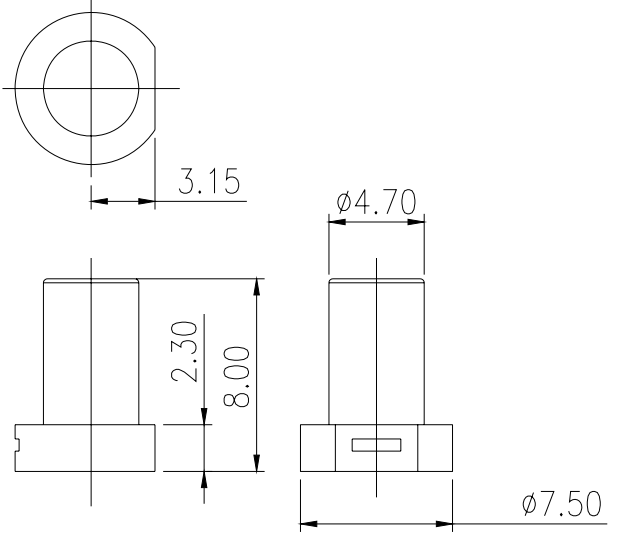
Operating Force
1=100g
2=160g
3=260g

A= Right Angle type
L =Tact Switch + LED
□ =Without LED
Tact Switch Type

CAP MARK

	0	1	2	3	4	5	6	7	8	9
A	0	1	2	3	4	5	6	7	8	9
B	A	B	C	D	E	F	G	H	I	J
C	K	L	M	N	O	P	Q	R	S	T
D	U	V	W	X	Y	Z				
E	IN 1	IN 2								
F		F1	F2	F3	F4	F5	F6	F7	F8	F9
G	F10	F11	F12	F13	F14					
H	○	⏻	Ⓢ	↺	●					

CAP TYPE

R1		R2	
			

SPECIFICATION

△MECHANICAL

Operation Force:
160 ± 50gf
Stroke: 0.20 + / - 0.10 mm
Operation Temperature: -40°C to +85°C
Preservative Temperature Range :
Single condition:-40°C~+85°C
Taping condition:-20°C~+60°C

△ELECTRICAL

Electrical Life: 500,000 cycles min.
Rating:50mA , 12VDC
Contact Resistance: 100mΩ max.
Insulation Resistance: 100MΩ min. 500VDC
Dielectric Strength: 250VAC/ minute
Contact Arrangement: 1 pole 1throw

MATERIAL

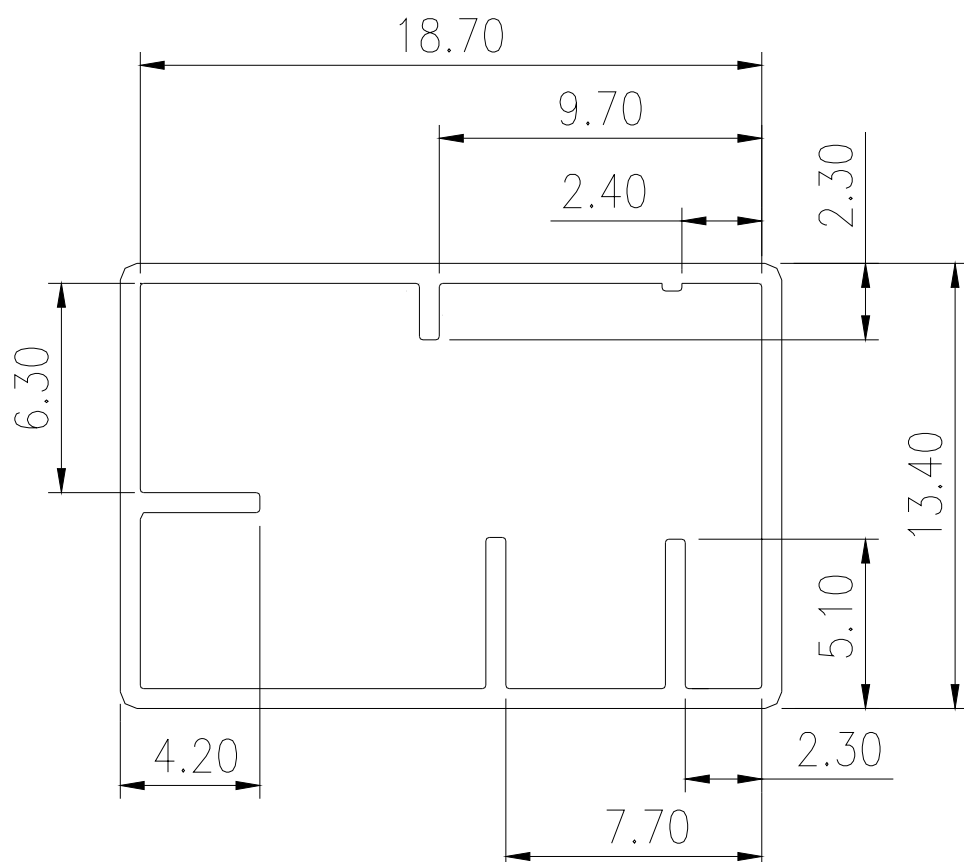
△CONTACT DISC: STAINLESS STEEL
△TERMINAL: BRASS WITH SILVER PLATING 0.5um
△BASE: HIGH-TEMP THERMOPLASTIC LCP UL 94V-0
COLOR : Black
△STEM: HIGH-TEMP THERMOPLASTIC LCP UL 94V-0
△CAP : HIGH-TEMP THERMOPLASTIC PES UL 94V-0
△COVER : STAINLESS STEEL

SOLDERING PROCESS

- △WAVE SOLDERING : Recommended solder Temperature at 500°F(260°C) max. 5 seconds. subject to PBC 1.6mm thickness. (Soldering for through hole type)
- △HAND SOLDERING : Use a soldering iron of 30 watts, controlled at 350°C approximately max 5 seconds while applying solder.
- △Cap is not suitable for reflow process

PACKING

Part Number	Number Per Tube	Number Per Tray
TLLA-72*	64	100



General Tolerance : ±0.2mm