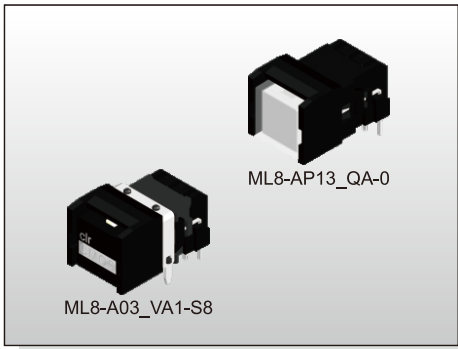


# ILLUMINATED SWITCH ML8 SERIES

## Tact Switch Illuminated



### FEATURES

- ※Push to lock option
- ※Long stroke
- ※Options of different cap color & mark

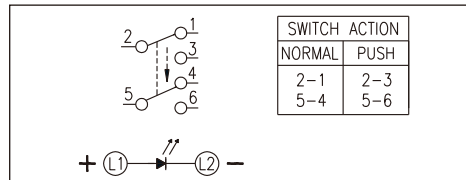
### APPLICATION

- ※Audio device
- ※Office equipment
- ※Communication apparatus

### SPECIFICATION

Contact Rating	0.1A, 30V DC
Contact Resistance	50mΩ max.
Insulation Resistance	100MΩ min. 500V DC
Dielectric Strength	500V AC/1 minute
Operating Force	250±100gf
Travel	1.5mm
Operating Life	10, 000 cycles
Operating Temp.	-40°C ~ +85°C
Storage Temp.	-40°C ~ +85°C

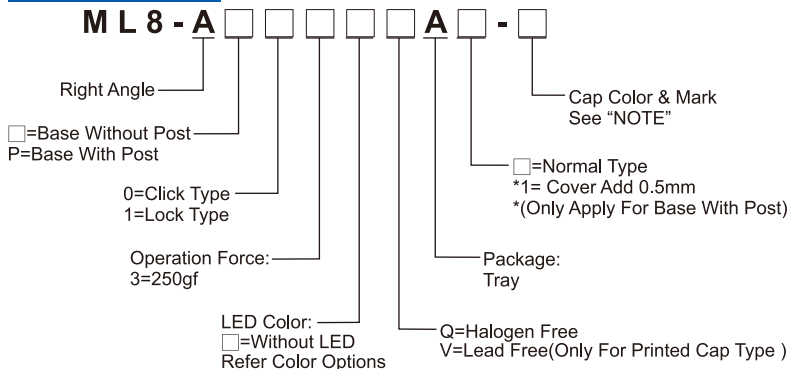
### CIRCUIT



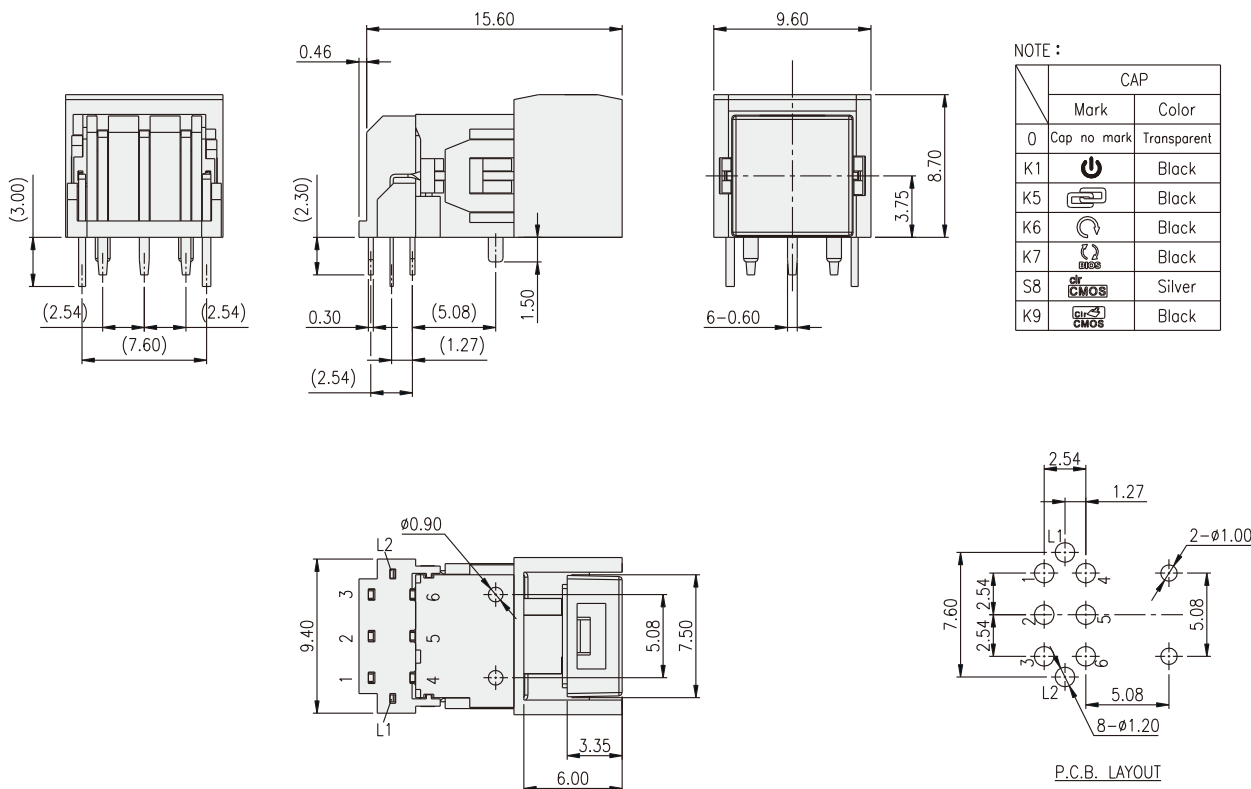
### PACKAGE

<Tray>  
120 pcs.

### HOW TO ORDER



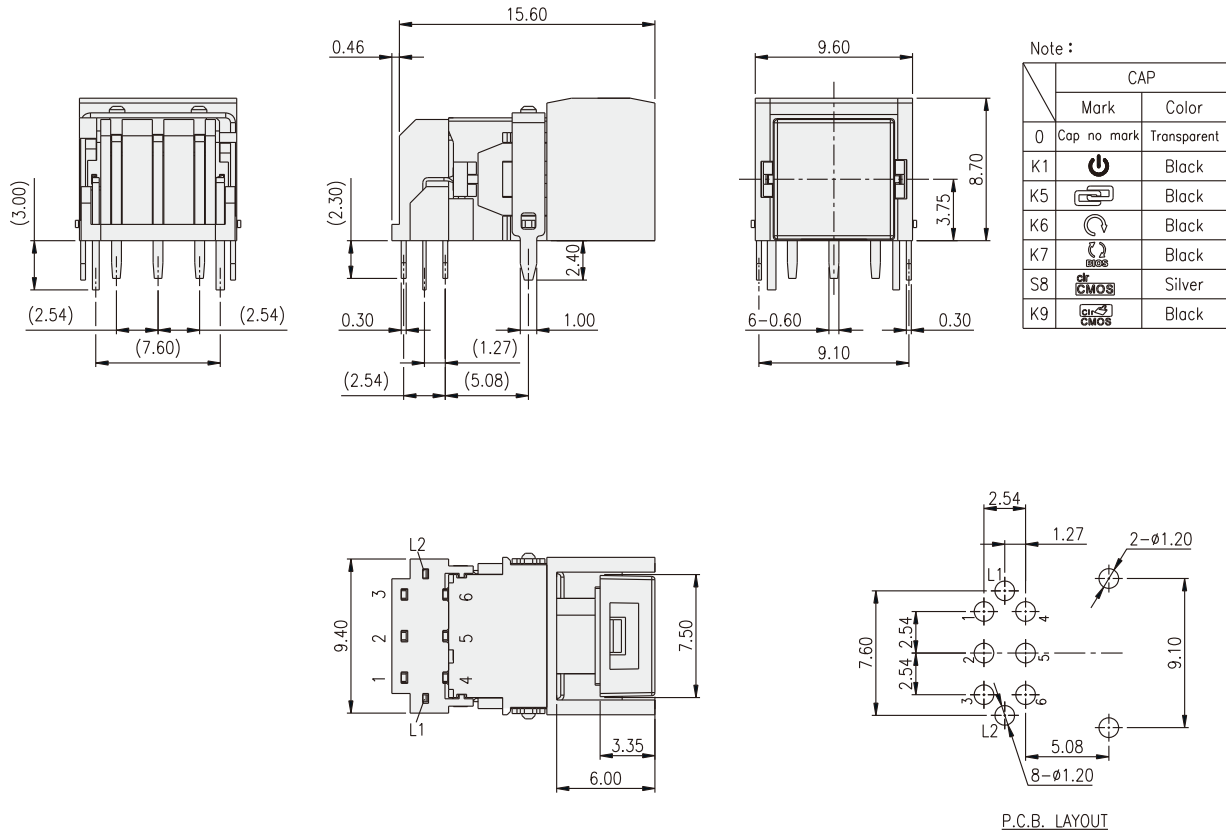
### ML8-AP13



ILLUMINATED SWITCH

**ML8-A03**

ILLUMINATED SWITCH



**LED Color Options:**

Part No.	Color	Dominant Wavelength $\lambda_p$ Typ.(nm)	Luminous Intensity $I_v$ (mcd)	Forward Voltage $V_f$ (V)		View Angle $2-\theta_{1/2}$ (Degree)
			Typ.	Typ.	Max.	
B	Blue	470	70	3.0	3.6	140°
PG	Pure Gree	520	160	3.2	3.6	
G	Yellow Green	570	30	2.0	2.3	
Y	Yellow	590	60	2.0	2.3	
A	Soft Orange	605	50	2.0	2.3	
R	Deep Red	640	25	2.0	2.3	
W	Cold White	X:0.30 / Y:0.30	350	3.0	3.6	