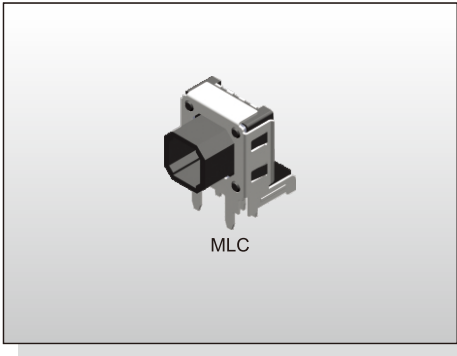


ILLUMINATED SWITCH MLC SERIES

Tact Switch
Illuminated



ILLUMINATED SWITCH



MLC

FEATURES

- ※Horizontal operation
- ※Various LED colors
- ※Long operation life

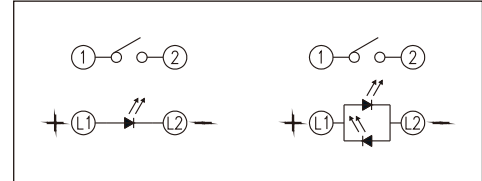
APPLICATION

- ※Automotive
- ※Server
- ※Laptop, IPC

SPECIFICATION

Contact Rating	50mA, 12V DC
Contact Resistance	100mΩ max.
Insulation Resistance	100MΩ min. 100V DC
Dielectric Strength	250V AC/1 minute
Operating Force	220±50gf
Travel	0.25mm
Operating Life	100, 000 cycles
Operating Temp.	-25°C ~ +70°C
Storage Temp.	-30°C ~ +80°C

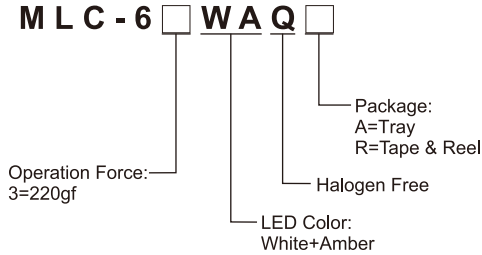
CIRCUIT



PACKAGE

- <Tray>
200 pcs.
- <Tape & Reel>
350 pcs.

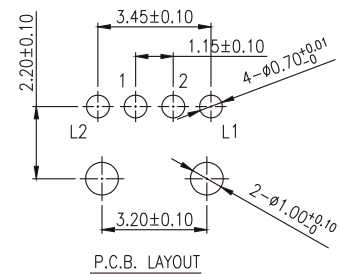
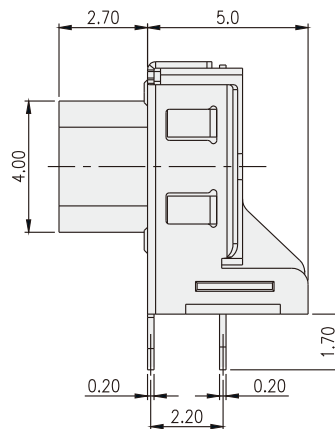
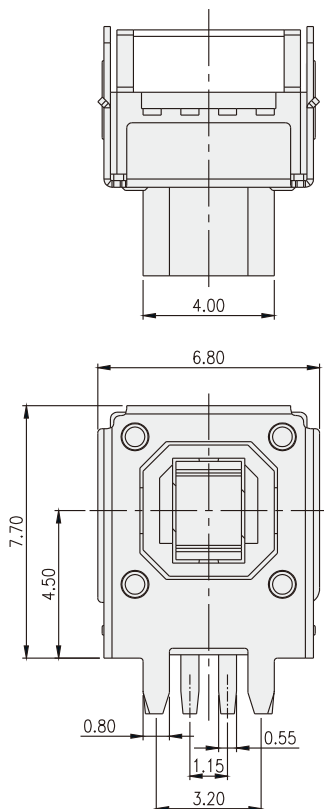
HOW TO ORDER



MLC

LED Color Options:

Part No.	Color	Dominant Wavelength λ_p Typ.(nm)	Luminous Intensity I_v (mcd)	Forward Voltage V_F (V)		View Angle $2-\theta_{1/2}$ (Degree)
			Typ.	Typ.	Max.	
B	Blue	470	200	3.1	3.4	120°
G	Yellow Green	570	70	2.0	2.3	
W	Warm White	X:0.30 / Y:0.30	1000	3.1	3.7	



P.C.B. LAYOUT

