

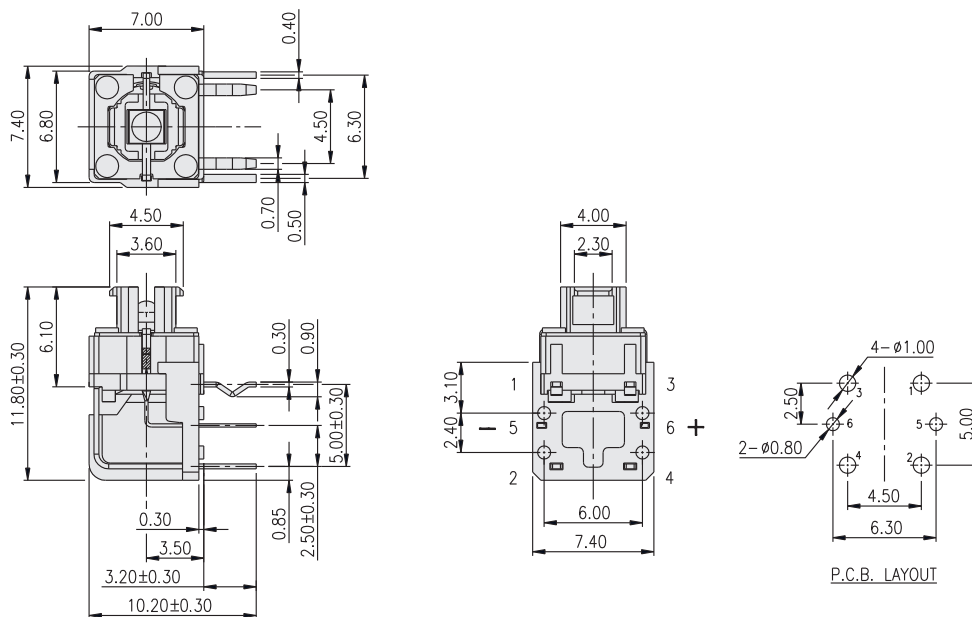
ILLUMINATED SWITCH TL(L)A(G)-7 SERIES

Tact Switch
Illuminated

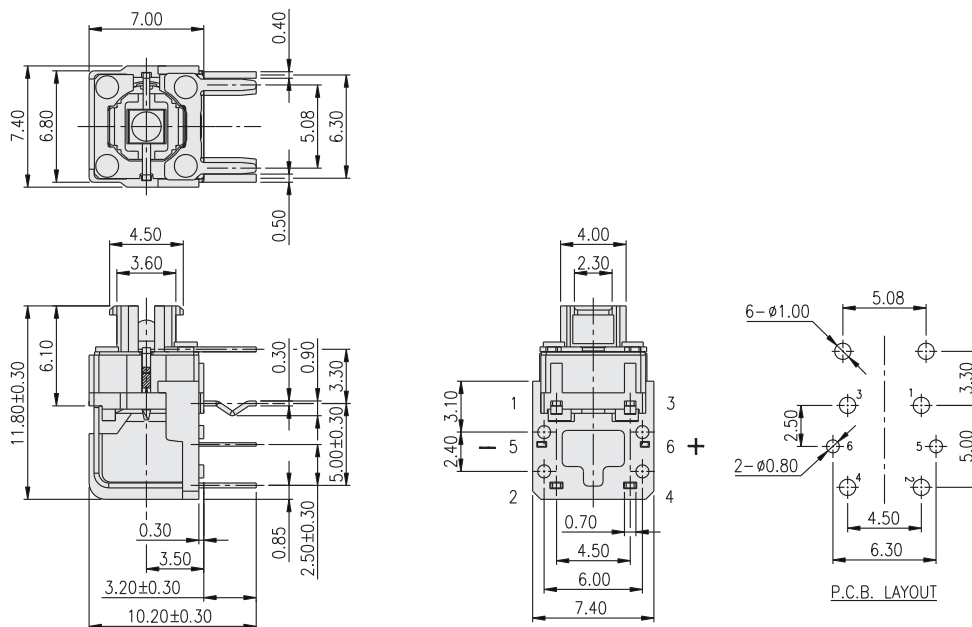


ILLUMINATED SWITCH

TLLA-72



TLLAG-7



LED Color Options:

Part No.	Color	Dominant Wavelength λ_D Typ.(nm)	Luminous Intensity I_v (mcd)		Forward Voltage V_f (V)		View Angle $2-\theta_{1/2}$ (Degree)	
			A	B	Typ.	Max.	A	B
B	Blue	470	70	1100	3.0	3.6	140°	30°
PG	Pure Green	520	160	2500	3.2	3.6		
G	Yellow Green	570	30	550	2.0	2.3		
Y	Yellow	590	60	1500	2.0	2.3		
A	Soft Orange	605	50	1500	2.0	2.3		
R	Deep Red	640	25	800	2.0	2.3		
W	Cold White	X:0.30 / Y:0.30	350	550	3.0	3.6		